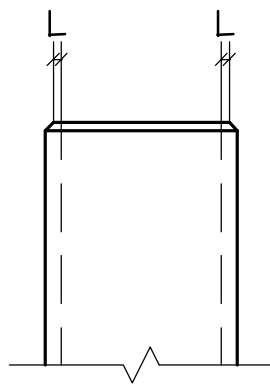
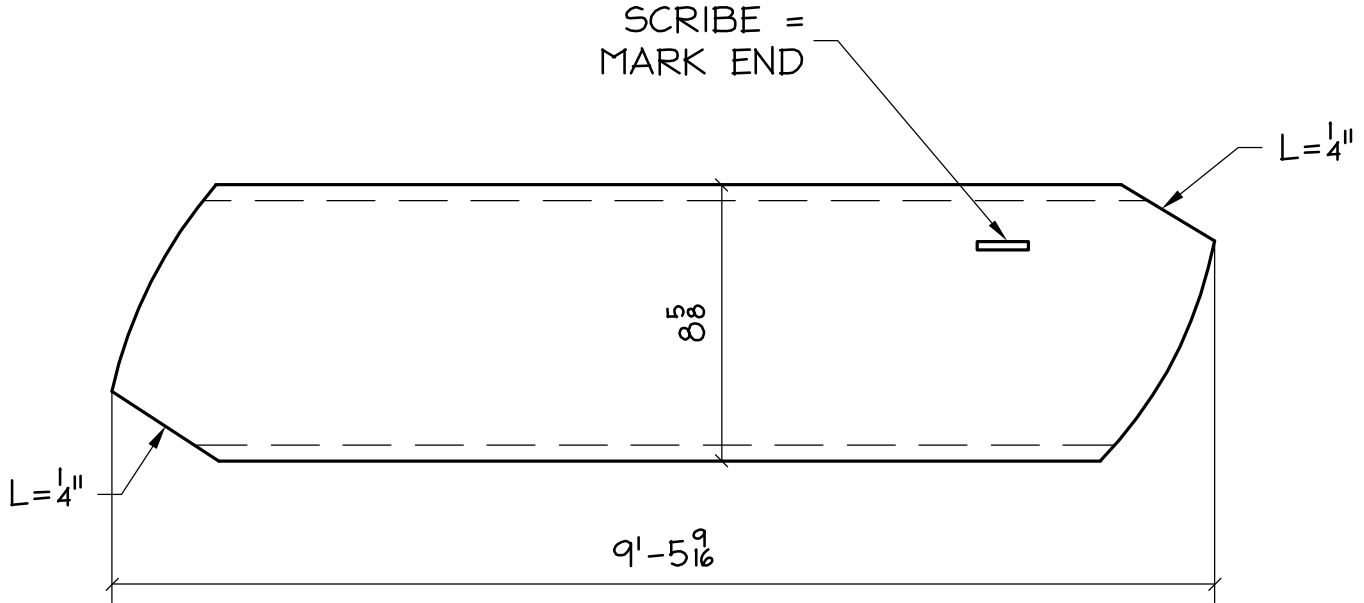


J:\COLUMBIA-WIRE-AND-IRON\15-114-001\_(EVERGREEN\_WATER\_PARK)\ADI\_SUBMITTAL\_--RECORD--\20100107-02(Z5-3D-TRUSSES-FAB)\SMPARTS\XD638.DWG 1/7/10 12:23p



**LAND DETAIL**  
L=LAND

SHOP DWG REF:  
116F(4)

ZONE: 5B QTY: 4

1	1/7/10	WT	Issue For Fabrication		
REV	DATE	BY	DESCRIPTION	DWG STATUS	DATE
MATERIAL UNO: A500 GRB			OPEN HOLES UNO: 15/16φ		
PART DESC.: HSS8.625 x0.500 x9'-5 <sup>9</sup> / <sub>16</sub>				UNIT WT.	TOT. WT.
COLUMBIA WIRE & IRON WORKS www.cwil.com/503-286-6600			EVERGREEN WATER PARK		JOB NO: 15-114-001 Pc. MK: d638
					1

a ~ Brace's b ~ Beam's c ~ Column's d ~ Misc.  
a<sup>1</sup>, a<sup>2</sup>, a<sup>3</sup> ETC.