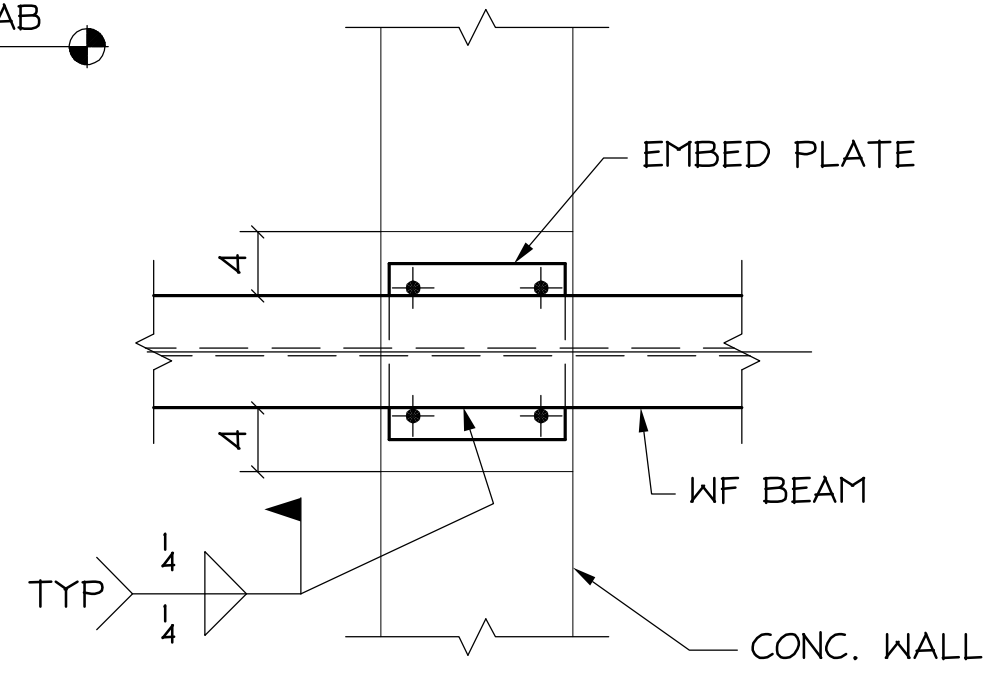
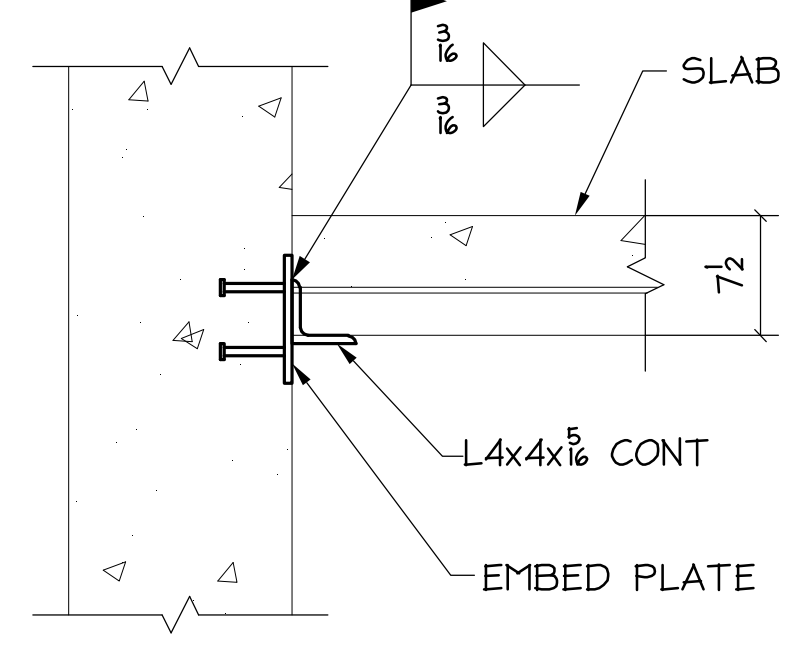


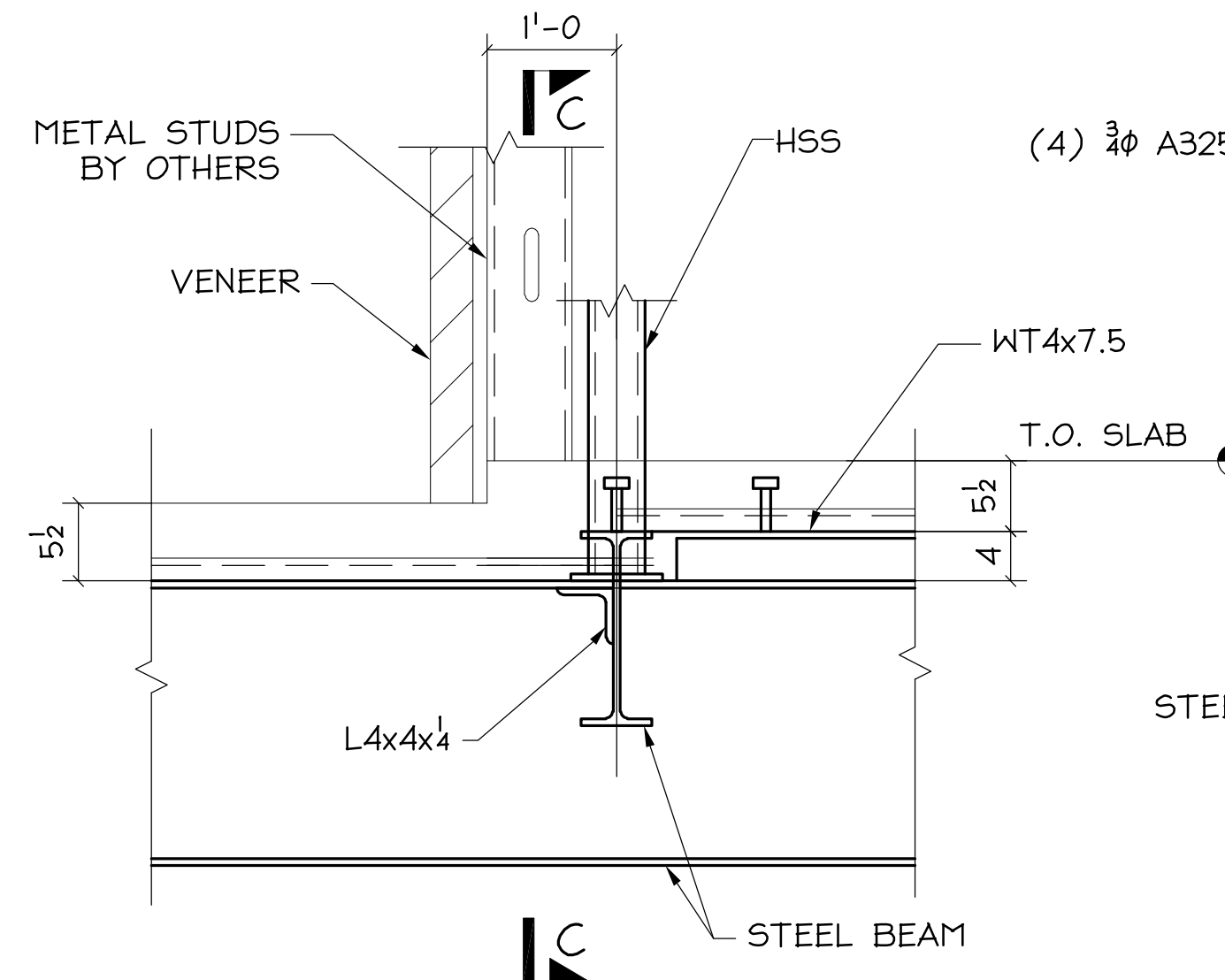
1  
-  
DETAIL  
REF C/S202



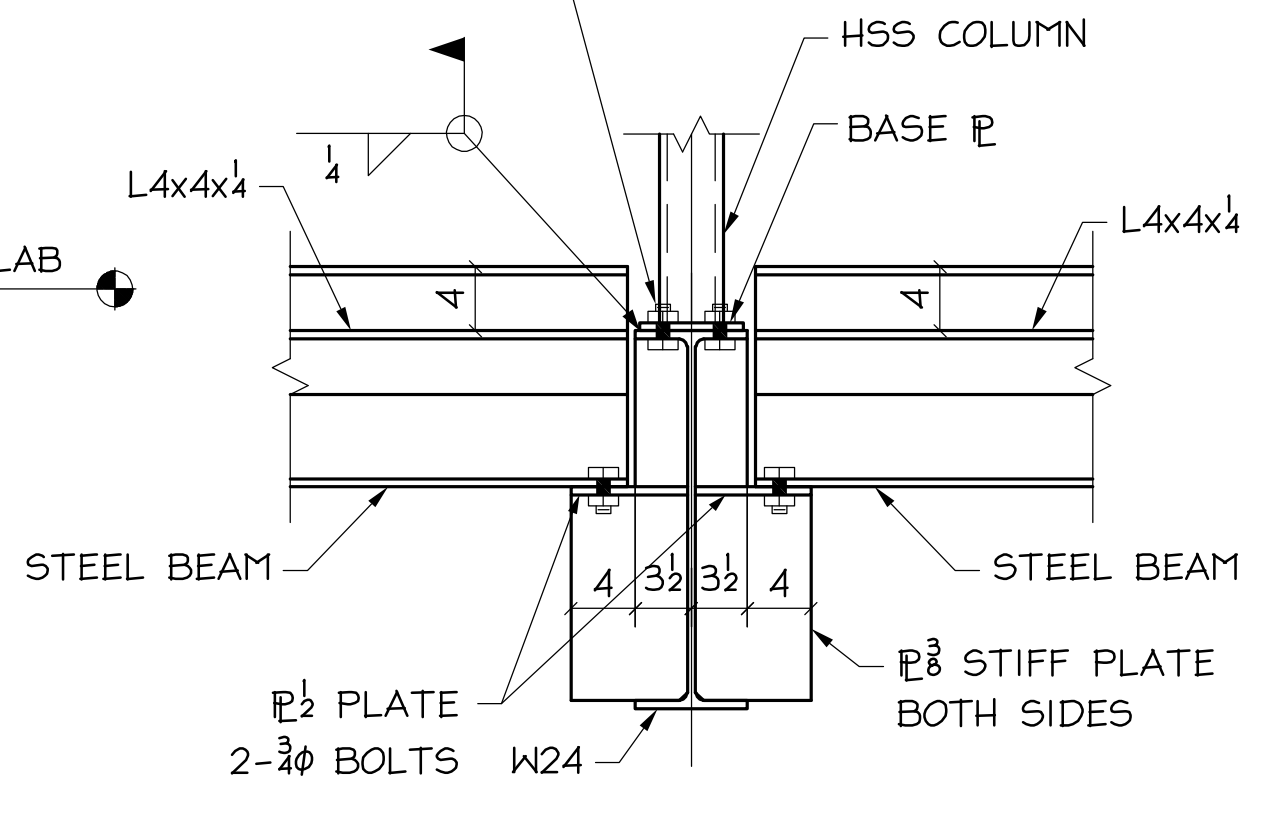
SECT A



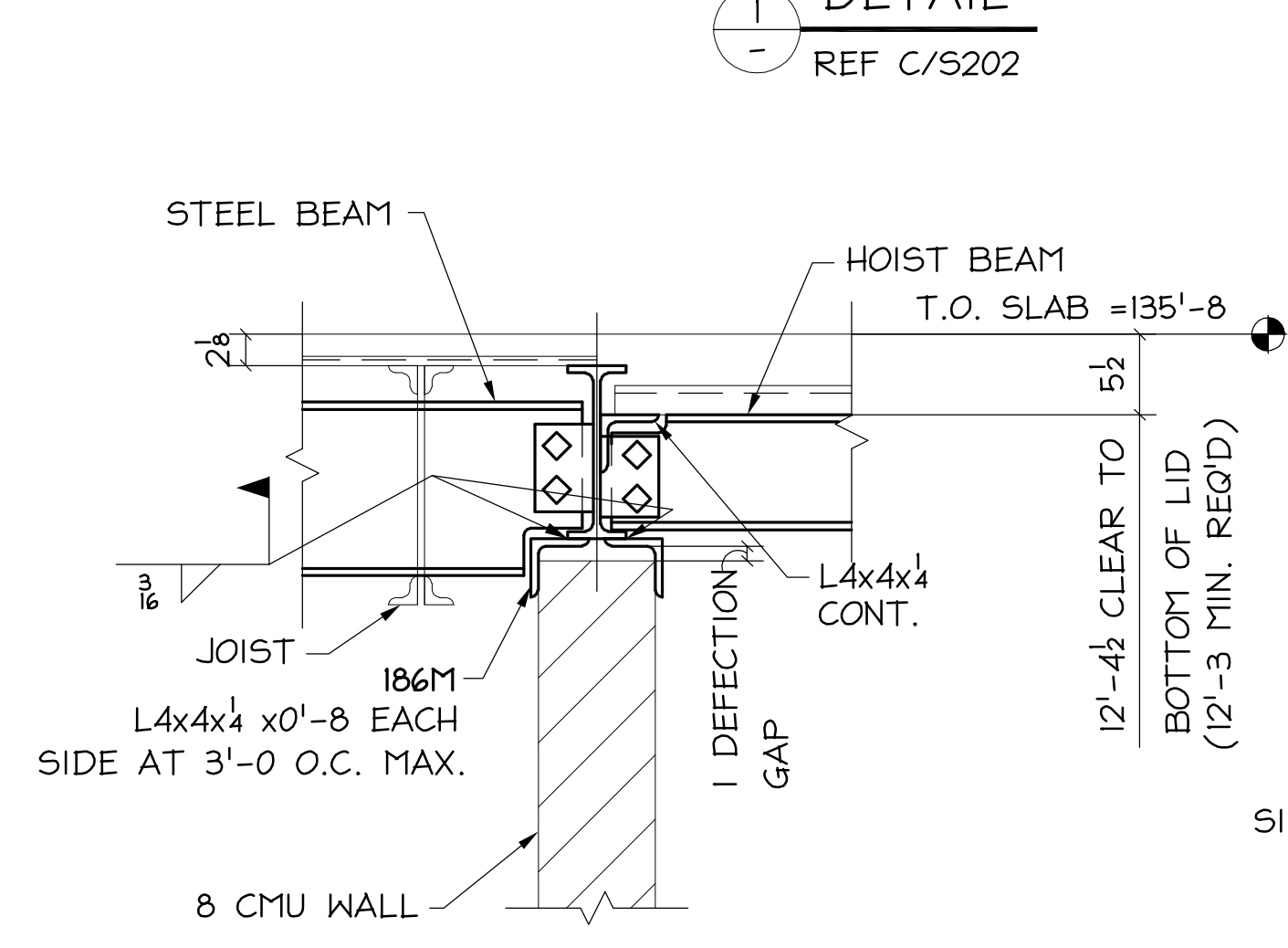
2  
-  
DETAIL  
REF J/S101



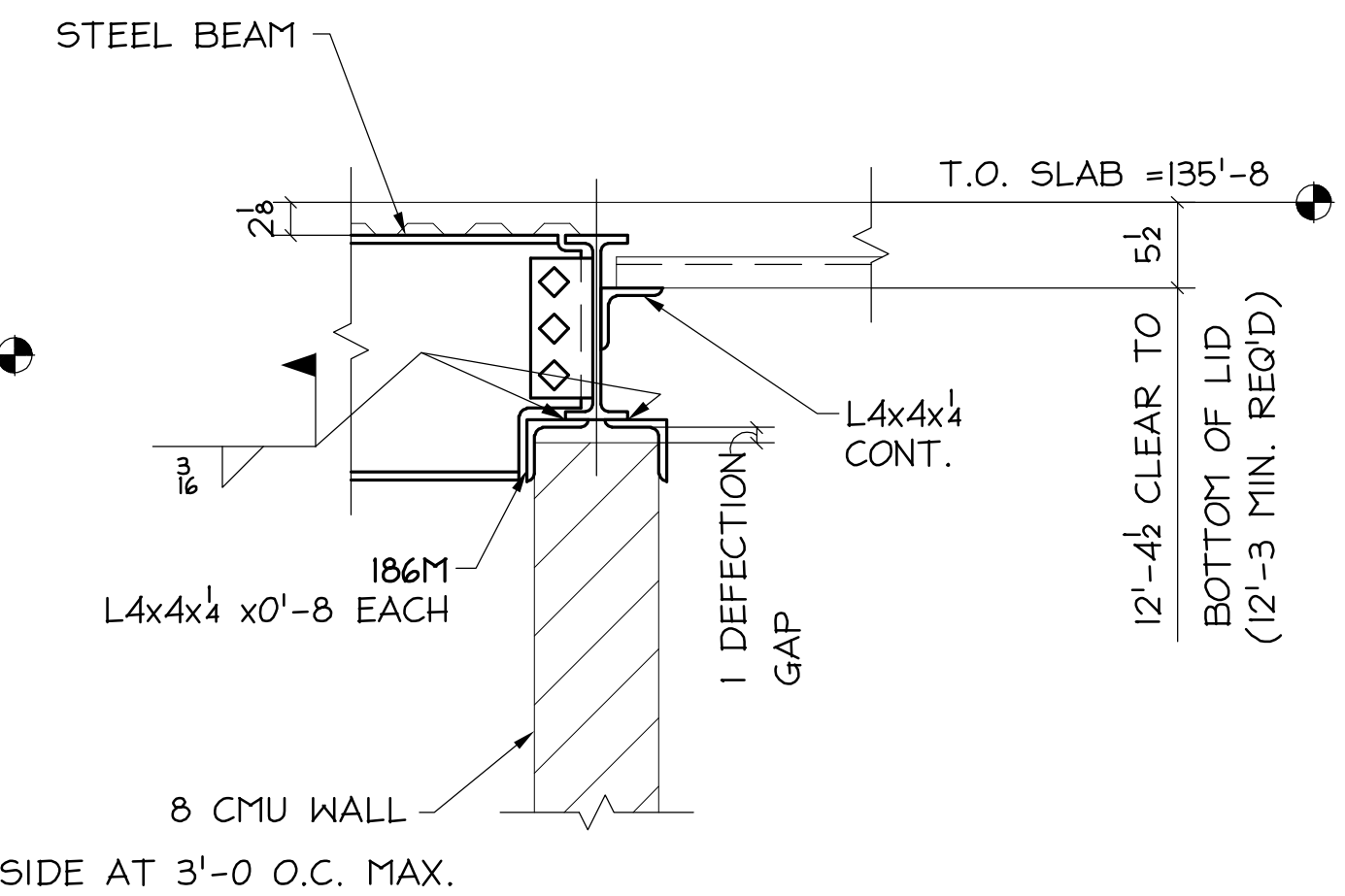
3  
-  
DETAIL  
REF B/S302



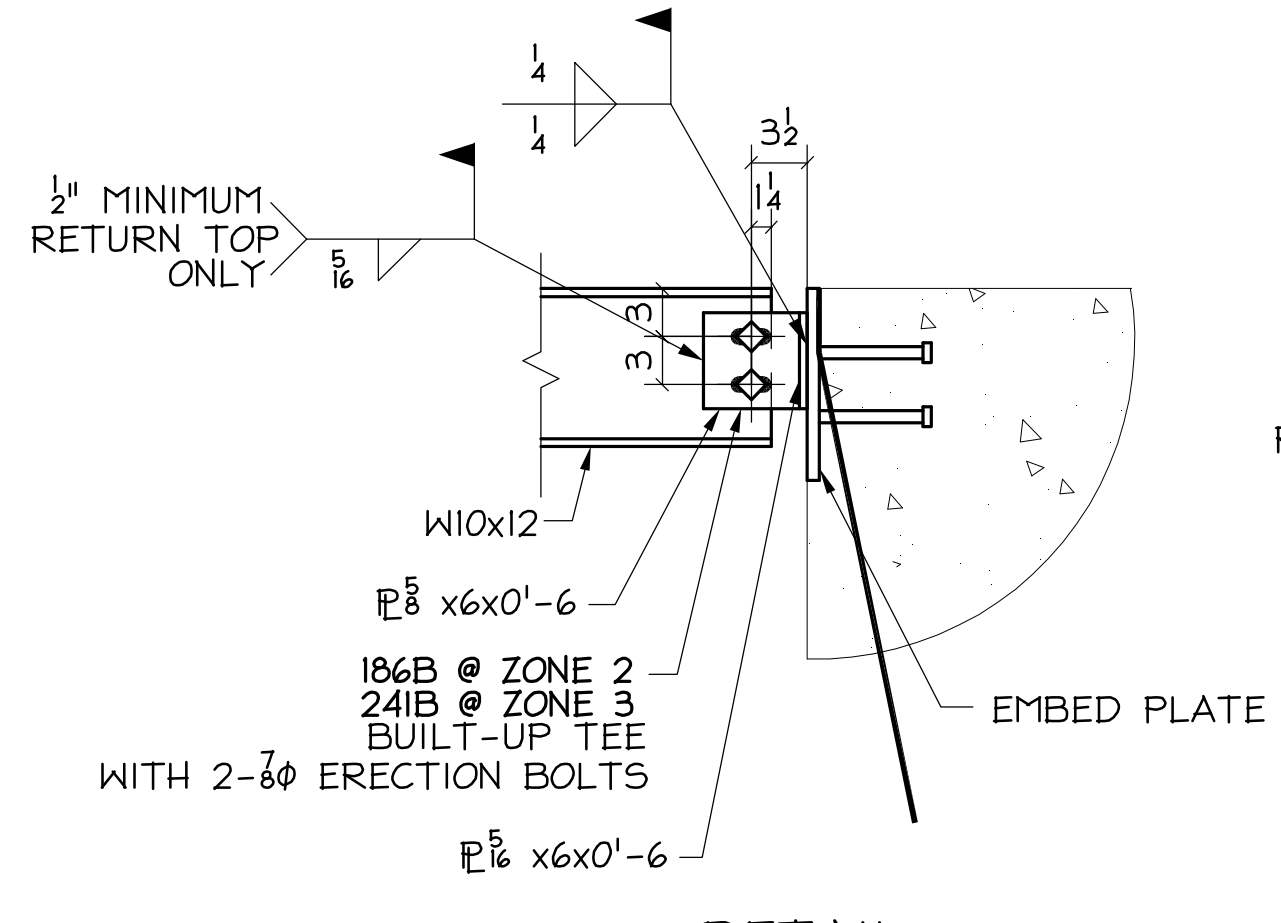
SECT C



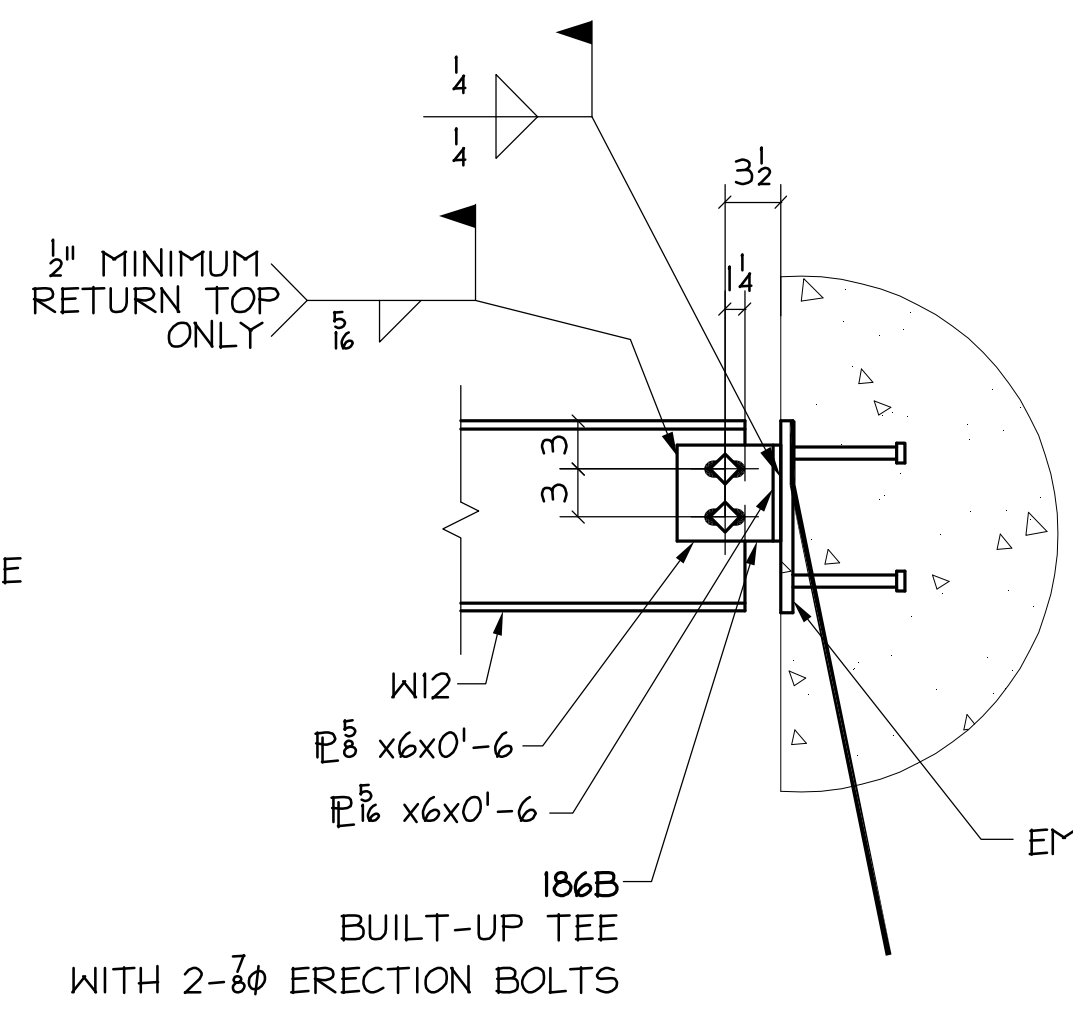
4  
-  
DETAIL  
REF D/S301



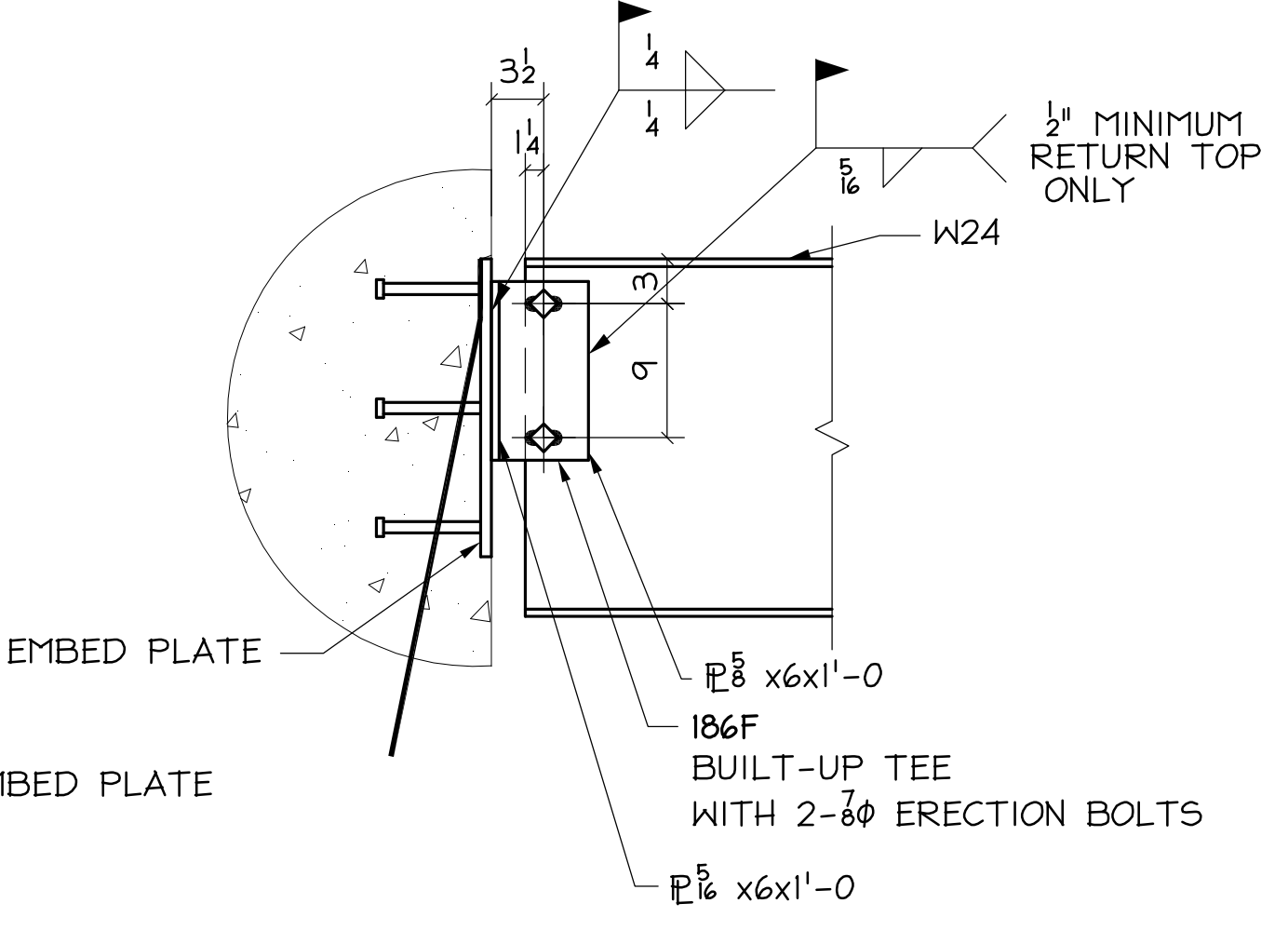
5  
-  
DETAIL  
REF C/S301



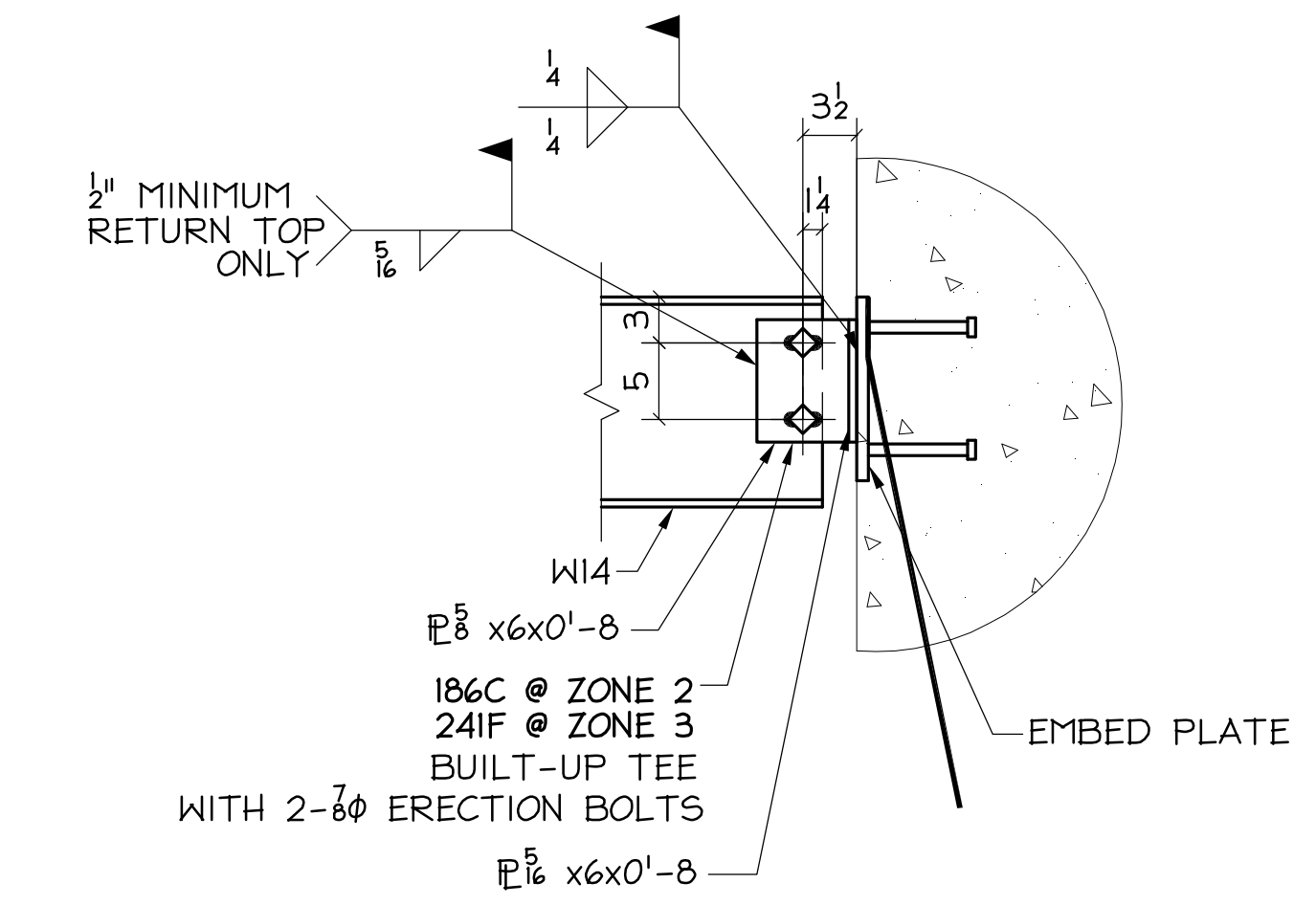
6  
-  
DETAIL  
REF J/S302



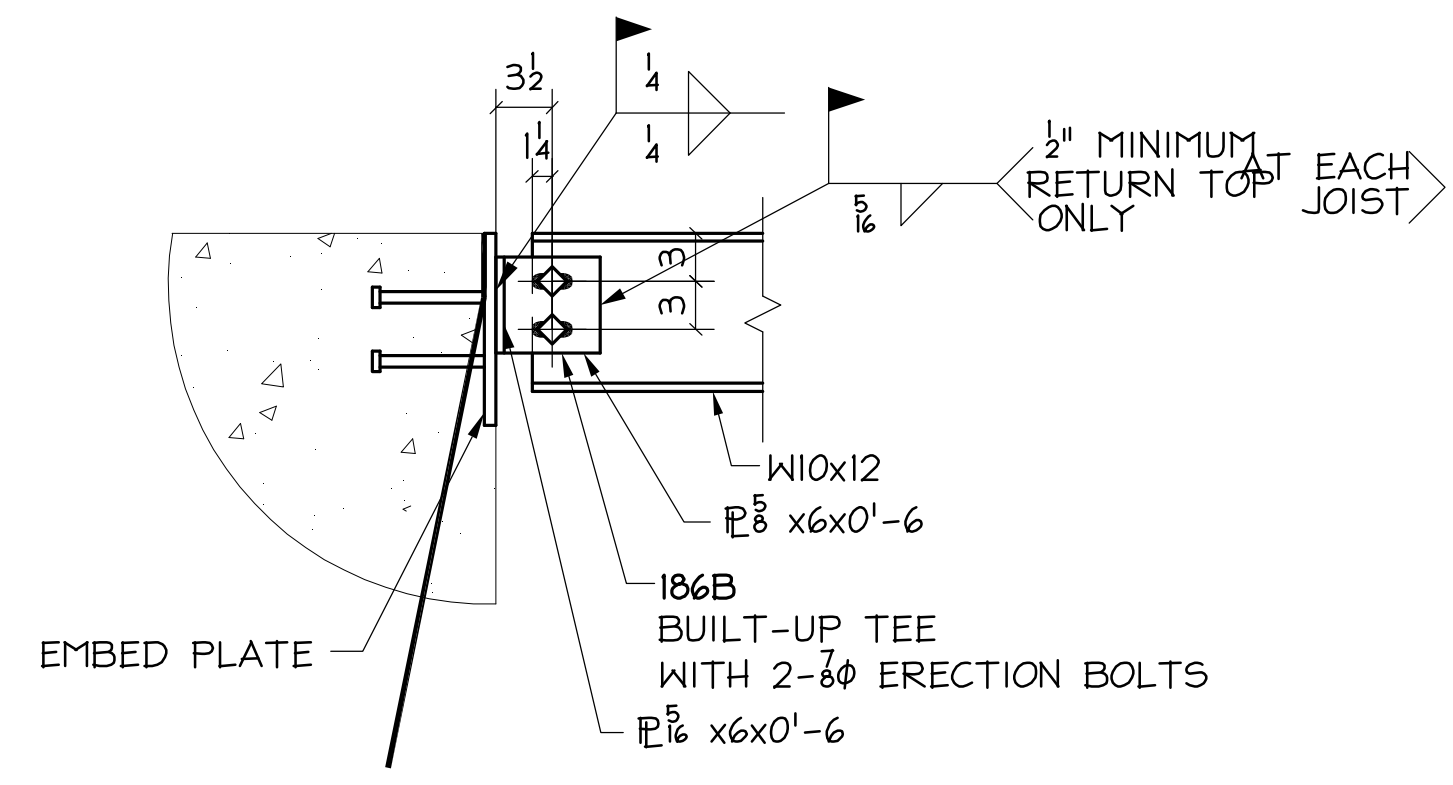
7  
-  
DETAIL  
REF J/S302



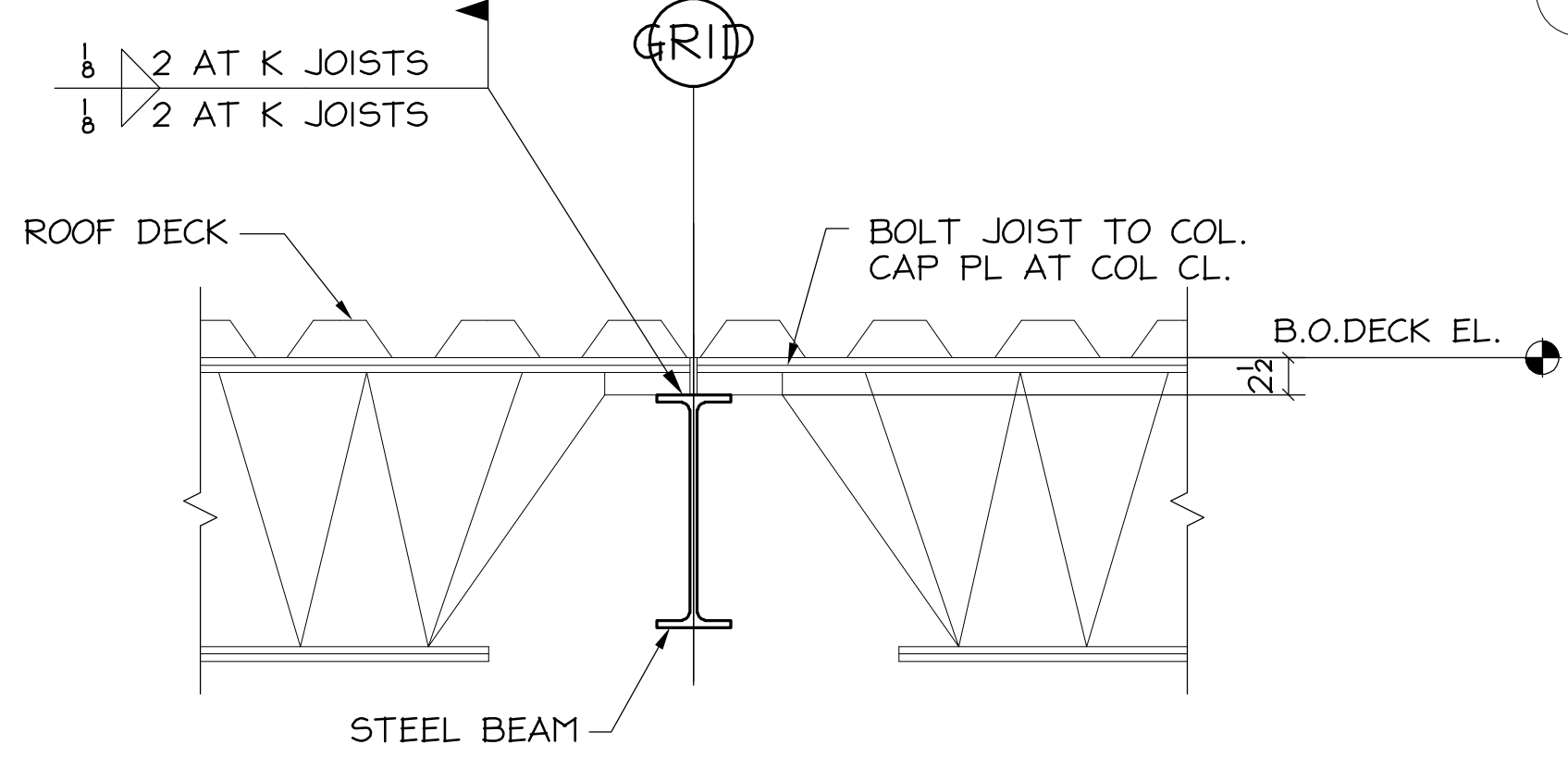
8  
-  
DETAIL  
REF J/S302



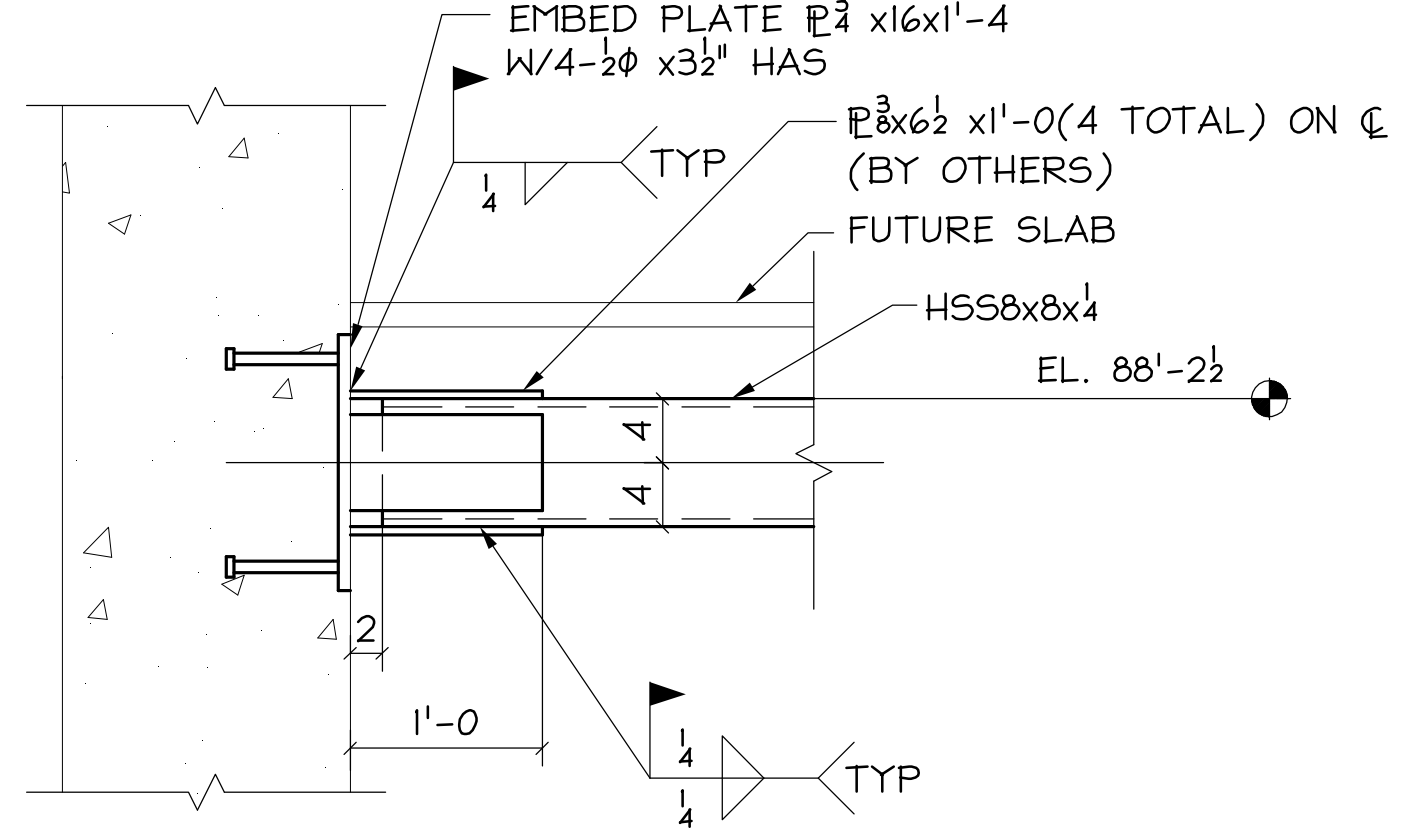
9  
-  
DETAIL  
REF J/S302



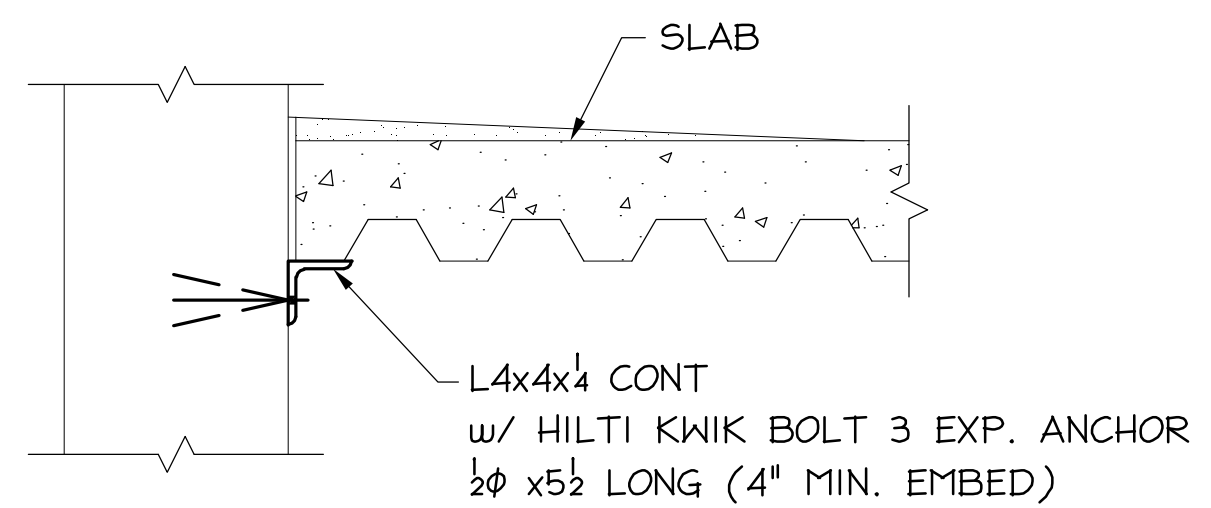
10  
-  
DETAIL  
REF J/S302



11  
-  
DETAIL  
REF J/S300



12  
-  
DETAIL  
REF H/S104



13  
-  
DETAIL  
PER RFI #15

VERIFICATION OF DIMENSIONS, DETAILS, AND ETC. ARE REQUESTED WHERE INDICATED. IF EACH VERIFICATION IS NOT NOTED OTHERWISE, IT WILL BE ASSUMED TO BE CORRECT AS SHOWN

REV	DATE	BY	DESCRIPTION	DWG STATUS	DATE
2	12/14/07	WT	For Field Use	FOR FABRICATION	
1	12/6/07	WT	Detail 2,6,10,12,& 13 For Field Use	FOR FABRICATION	
B	10/12/07	WT	For Approval - Zone 3	FOR PURCHASING	
A	9/30/07	WT	For Approval - Zone 2	FOR APPROVAL	

**NORTHCREEK  
PHASE III  
DENVER, COLORADO**

ENGR: S.A. MIRO INC.      ADI / ANGLE DETAILING, INC.  
CONTR: THE WEITZ CO.      ADI JOB# 2007-617

**Pikes Peak Steel**  
3550 Mark Dabbling Blvd. Colorado Springs, CO 80907  
(719) 471-8811

DRAWN BY: WYH      CHK'D BY: ZJ      JOB NO: 2007-15      DWG. NO: E16

J:\2007-617\_XOL\_SUBMITTALS--RECORD--\FOR-WEB-PAGE\DRAWING-EXAMPLES\NORTH-CREEK-PH3\16.DWG, 1/6/09, 2:43pm, FORD, mediasa.mcdm