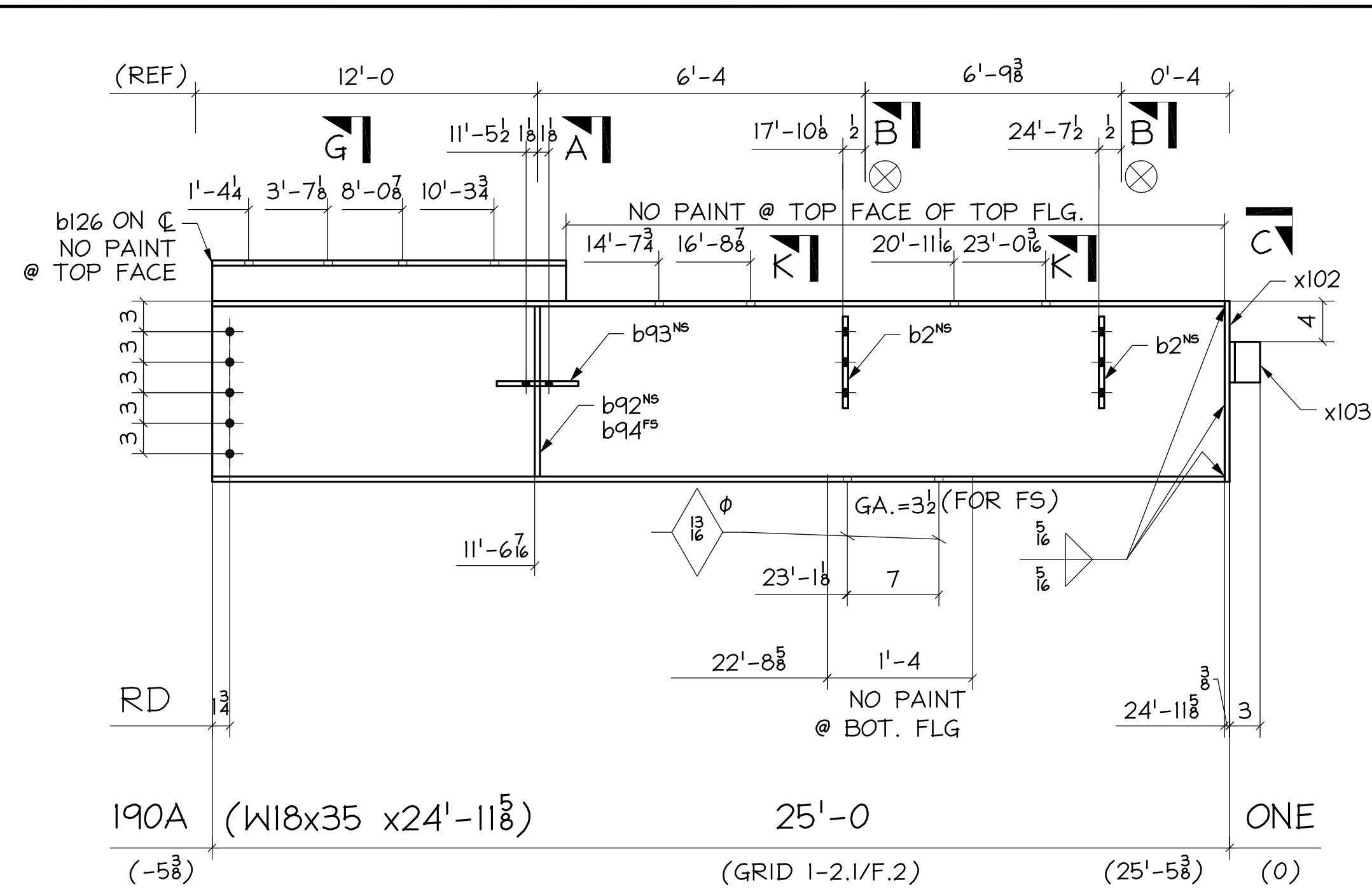
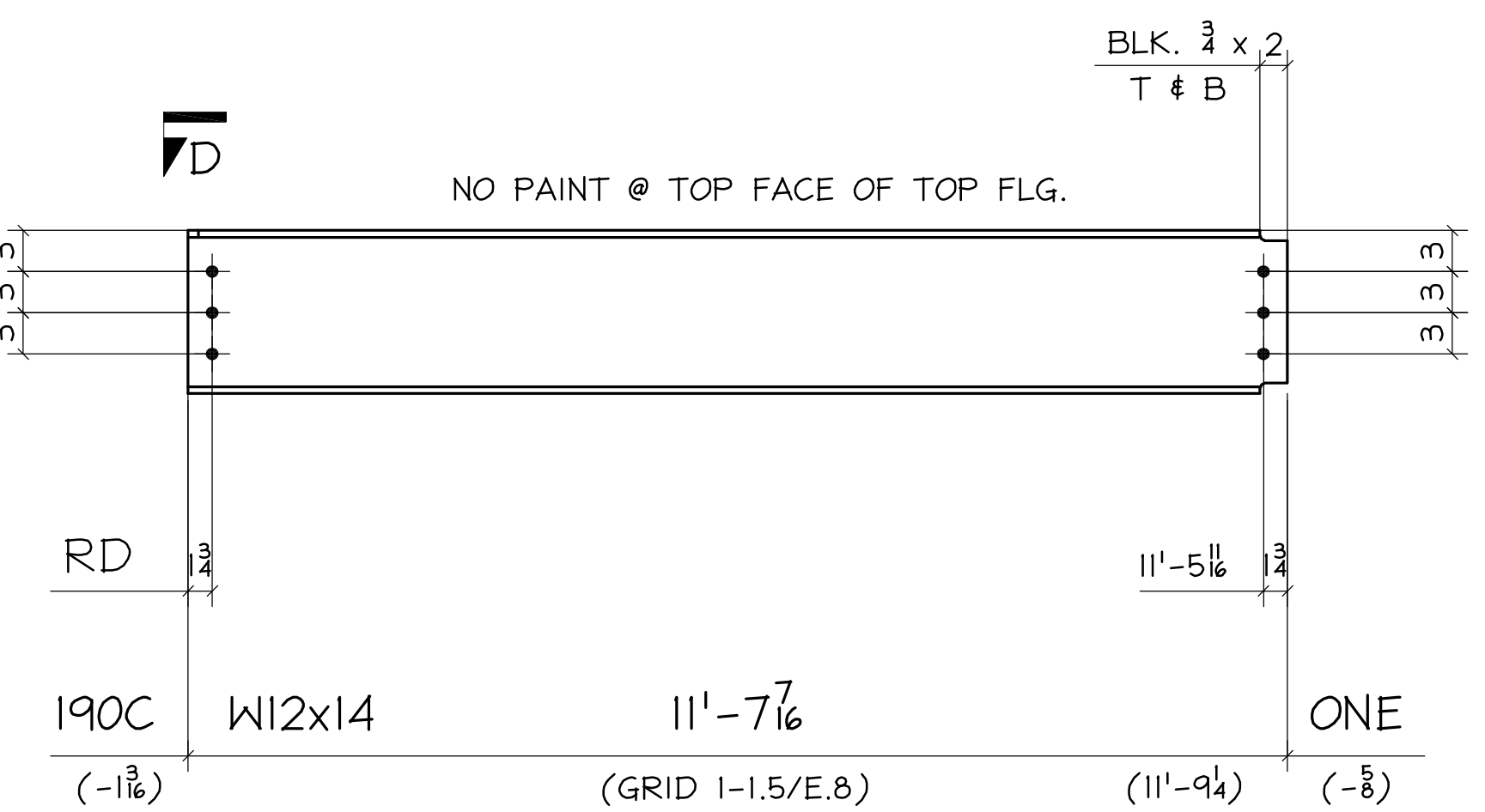
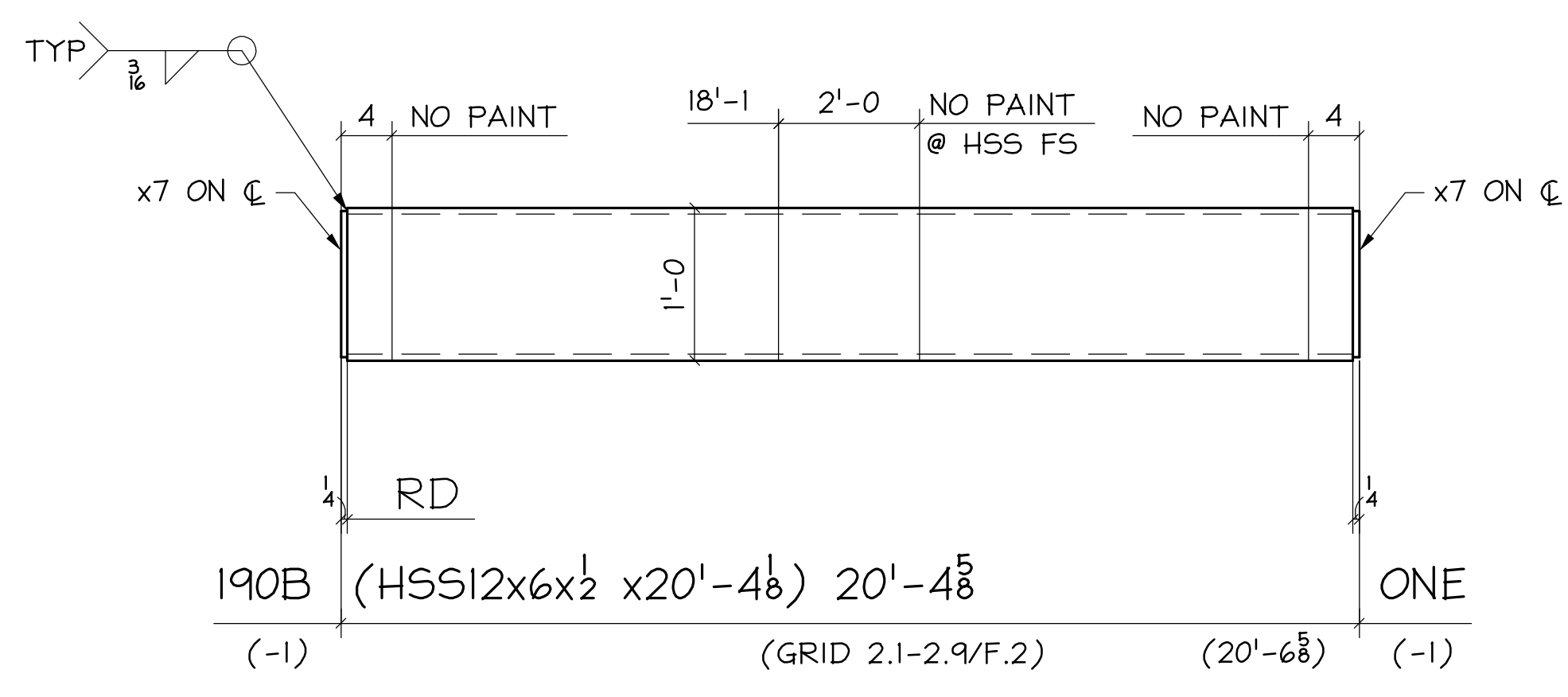


A:\2007-617\X01-SUBMITTALS-RECORD-V09-WEB-PAGE-DRAWING-EXAMPLES\NORTH-CREEK-PL3\190.DWG, 1/6/09, 2:43pm, F080, mediasa.mcafee

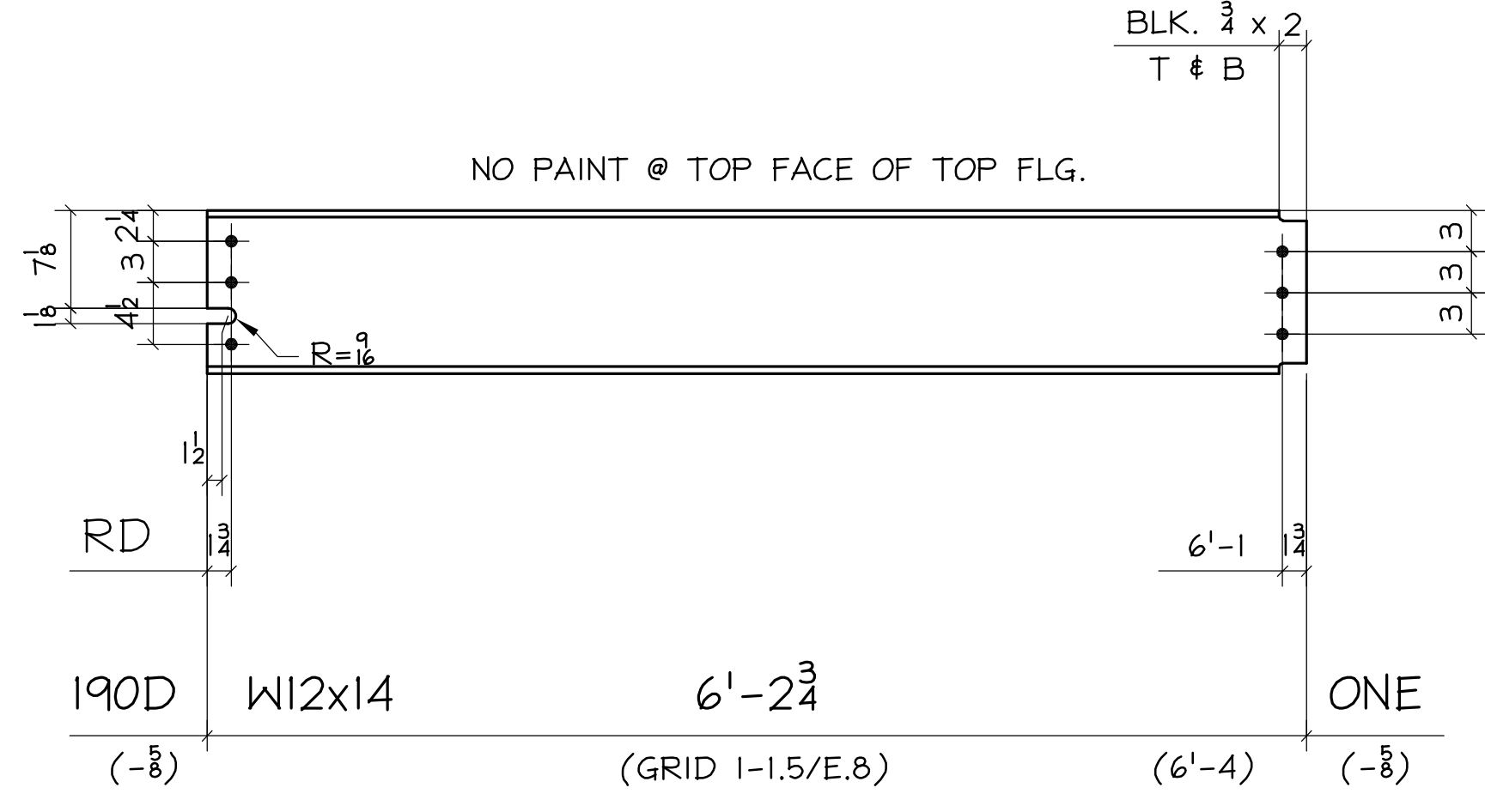


5 ~ 3/8" x 2  
A325N



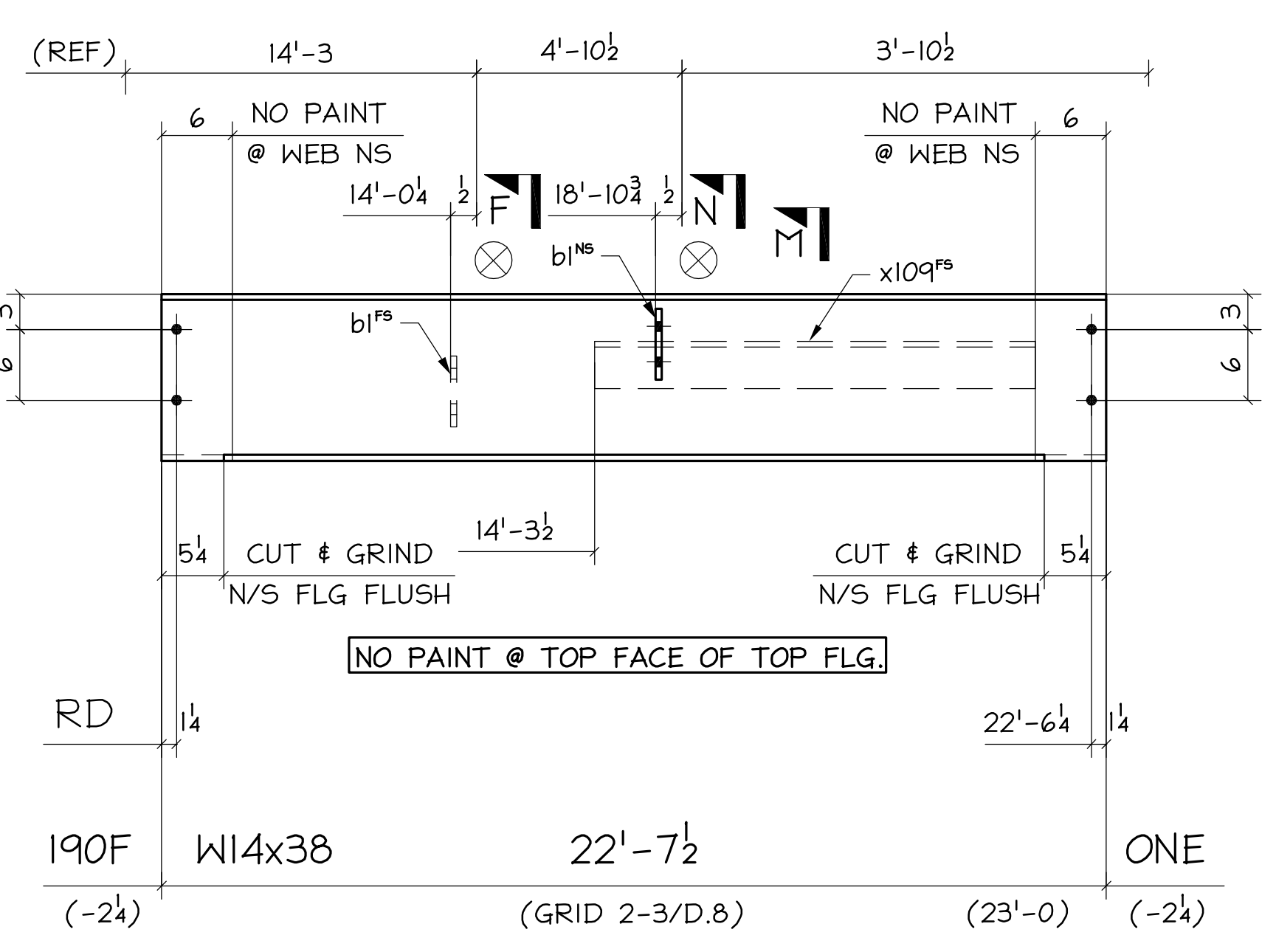
3 ~ 3/8" x 2  
A325N

3 ~ 3/8" x 2  
A325N



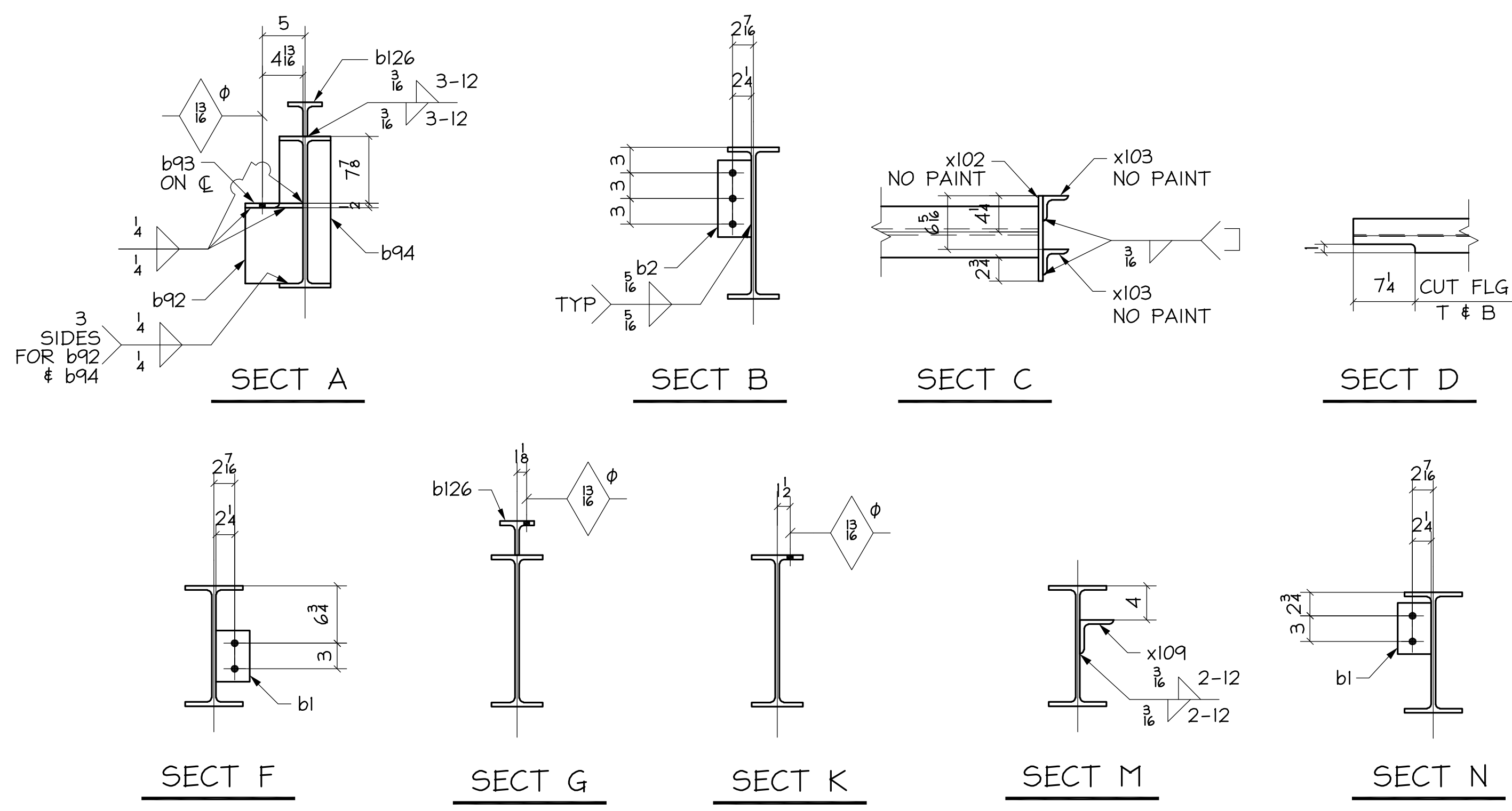
3 ~ 3/8" x 2  
A325N

3 ~ 3/8" x 2  
A325N



2 ~ 3/8" x 2 1/4"  
A325

2 ~ 3/8" x 2 1/4"  
A325



Z / QUAN

190A / 3 / 1

Z / QUAN

190B / 3 / 1

Z / QUAN

190C / 3 / 1

Z / QUAN

190D / 3 / 1

Z / QUAN

190F / 3 / 1

BILL OF MATERIAL

NO. TO SHIP	SHIP MARK	TOTAL NO PC	PC MARK	DESCRIPTION	LENGTH		REMARKS	ADV. BILL	WEIGHT	
					FT.	IN.			UNIT	TOTAL
ONE	190A			W18x35	24	11 5/8				
		2	b2	FB4x3	0	9				
		1	b92	3/8" x 6 1/2"	1	4 1/2				
		1	b93	3/8" x 6 1/2"	0	8				
		1	b94	3/8" x 2 1/2"	1	4 1/2				
		1	b126	WT4x7.5	11	8 3/8				
		1	x102	3/8" x 10	1	5 1/2				
		2	x103	L3x3x 1/4"	0	4				
ONE	190B			HSS12x6x2	20	4 5/8				
		2	x7	3/4" x 5 3/8"	0	11 3/8				
ONE	190C			W12x14	11	7 1/8				
ONE	190D			W12x14	6	2 3/4				
ONE	190F			W14x38	22	7 1/2				
		2	b1	FB4x3	0	6				
		1	x109	L4x4x 1/4"	7	10				
				FIELD BOLTS						
		17		3/8" A325N W/N # W	0	2				
		4		3/8" A325 W/N # W	0	2 1/4				

FABRICATION NOTES:

HOLES UNO: 1/8"  
 WELD: E70XX  
 REF DWG: E2  
 MATERIAL UNO: A36, W/F=A992  
 HSS=A500 grB, PIPE=A53 grB  
 PAINT: 1 S/C PRIMER U/N

NOTES:

VERIFICATION OF DIMENSIONS, DETAILS, AND ETC. ARE REQUESTED, WHERE INDICATED. IF EACH VERIFICATION IS NOT NOTED OTHERWISE, IT WILL BE ASSUMED TO BE CORRECT AS SHOWN.

REV	DATE	BY	DESCRIPTION	DWG STATUS	DATE
I	12/19/07	WT	Issue For Fabrication	FOR FABRICATION	
A	10/12/07	WT	For Approval	FOR PURCHASING	
				FOR APPROVAL	

NORTHCREEK  
 PHASE III  
 DENVER, COLORADO

ENGR: S.A. MIRO INC. ADI / ANGLE DETAILING, INC.  
 CONTR: THE WEITZ CO. ADI JOB# 2007-617

Pikes Peak Steel  
 3550 Mark Dabling Blvd. Colorado Springs, CO 80907  
 (719) 471-8811  
 DRAWN BY: CSH CHKD BY: CWL JOB NO. 2007-15 190 DWG. NO. 190