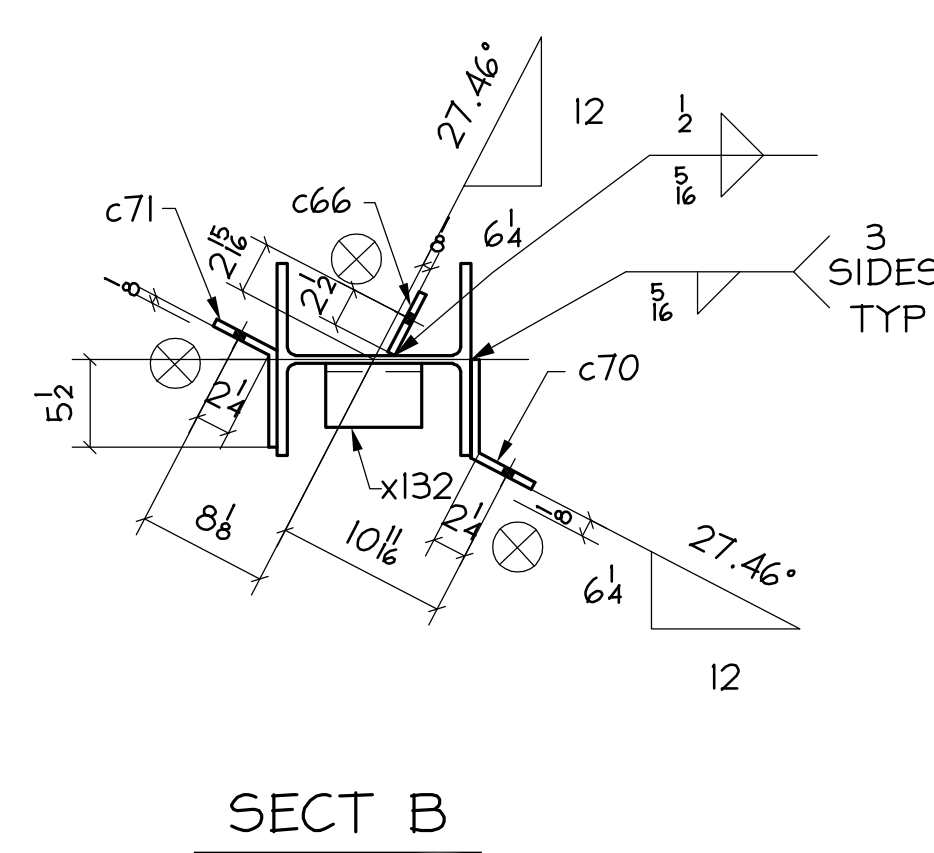
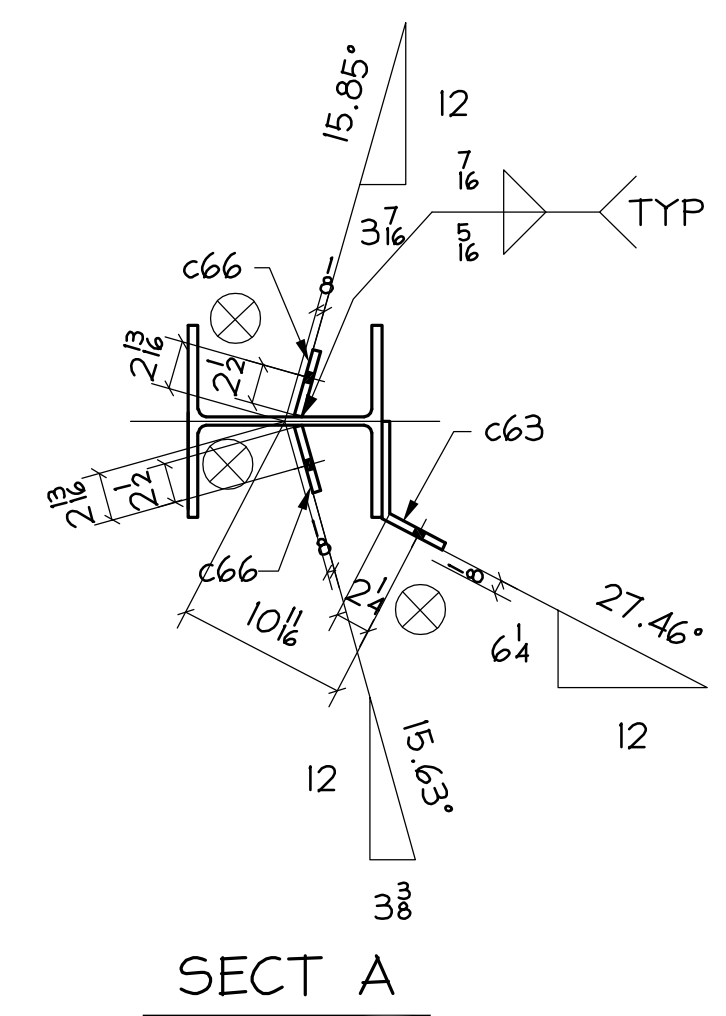
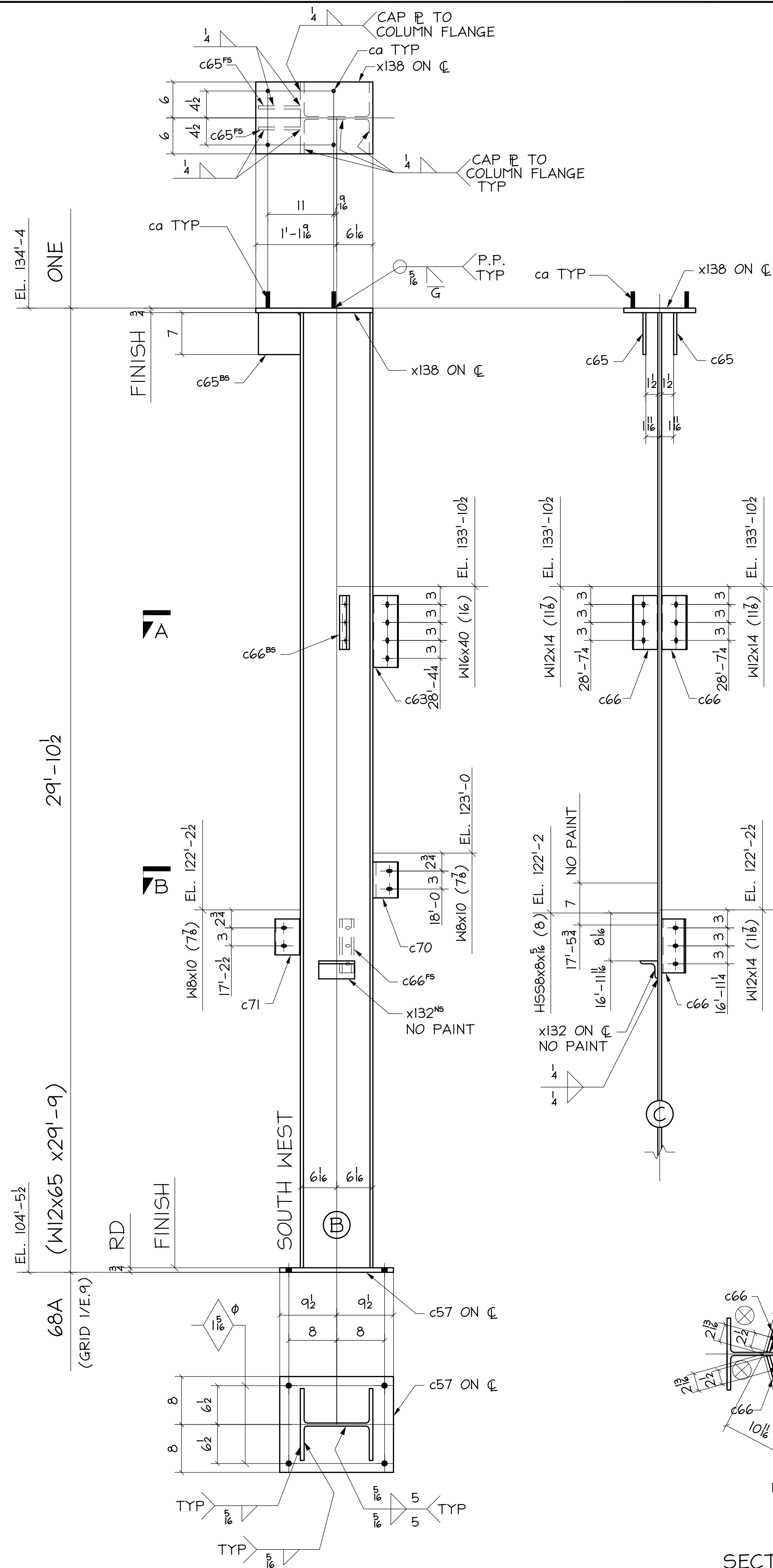


J:\2007-617 XOL SUBMITTALS - RECORD - V08-MEB-PAGE DRAWING-EXAMPLES\NORTH-CREEK-III\088.DWG 1/8/09 2:43pm F080 medlisa.mcdwy



Z / QUAN
68A / 3 / 1

BILL OF MATERIAL

| NO. TO SHIP | SHIP MARK | TOTAL No | PC MARK | DESCRIPTION | LENGTH | | REMARKS | ADV. BILL | WEIGHT | |
|-------------|-----------|----------|---------|----------------------|--------|-------|---------|-----------|--------|-------|
| | | | | | FT. | IN. | | | UNIT | TOTAL |
| ONE | 68A | | | W12x65 | 29 | 9 | F2E | | | |
| | | 1 | c57 | L3 x16 | 1 | 7 | | | | |
| | | 1 | c63 | L3 x12 | 0 | 9 1/2 | BENT | | | |
| | | 2 | c65 | FB7x3 | 0 | 7 | | | | |
| | | 3 | c66 | L3 x4 1/2 | 0 | 9 | | | | |
| | | 1 | c70 | L3 x6 | 0 | 9 1/2 | BENT | | | |
| | | 1 | c71 | L3 x6 | 0 | 9 1/2 | BENT | | | |
| | | 1 | x132 | L3x3x1/2 | 0 | 6 | | | | |
| | | 1 | x138 | L3 x12 | 1 | 7 1/2 | | | | |
| | | 4 | ca | 3/8 ALL-THREDA W/N6W | 0 | 2 1/2 | | | | |

FABRICATION NOTES:

HOLES UNO: 1/2"

WELD: E70XX

REF DWG: ABI E2 E3

MATERIAL UNO: A36, WF=A992
HSS=A500 grB, PIPE=A53 grB

PAINT: 1 S/C PRIMER U/N

NOTES:

VERIFICATION OF DIMENSIONS, DETAILS, AND ETC. ARE REQUESTED, WHERE INDICATED. IF EACH VERIFICATION IS NOT NOTED OTHERWISE, IT WILL BE ASSUMED TO BE CORRECT AS SHOWN.

| REV | DATE | BY | DESCRIPTION | DWG STATUS | DATE |
|-----|----------|----|-----------------------|-----------------|------|
| I | 12/19/07 | WT | Issue For Fabrication | FOR FABRICATION | |
| A | 10/12/07 | WT | For Approval | FOR PURCHASING | |

**NORTHCREEK
PHASE III
DENVER, COLORADO**

ENGR: S.A. MIRO INC. ADI / ANGLE DETAILING, INC.
 CONTR: THE WEITZ CO. ADI JOB# 2007-617

Pikes Peak Steel
 3550 Mark Dabbling Blvd. Colorado Springs, CO 80907
 (719) 471-8811

| | | | |
|--------------|--------------|-----------------|-------------|
| DRAWN BY: XY | CHKD BY: LEL | JOB NO. 2007-15 | DWG. NO. 68 |
|--------------|--------------|-----------------|-------------|