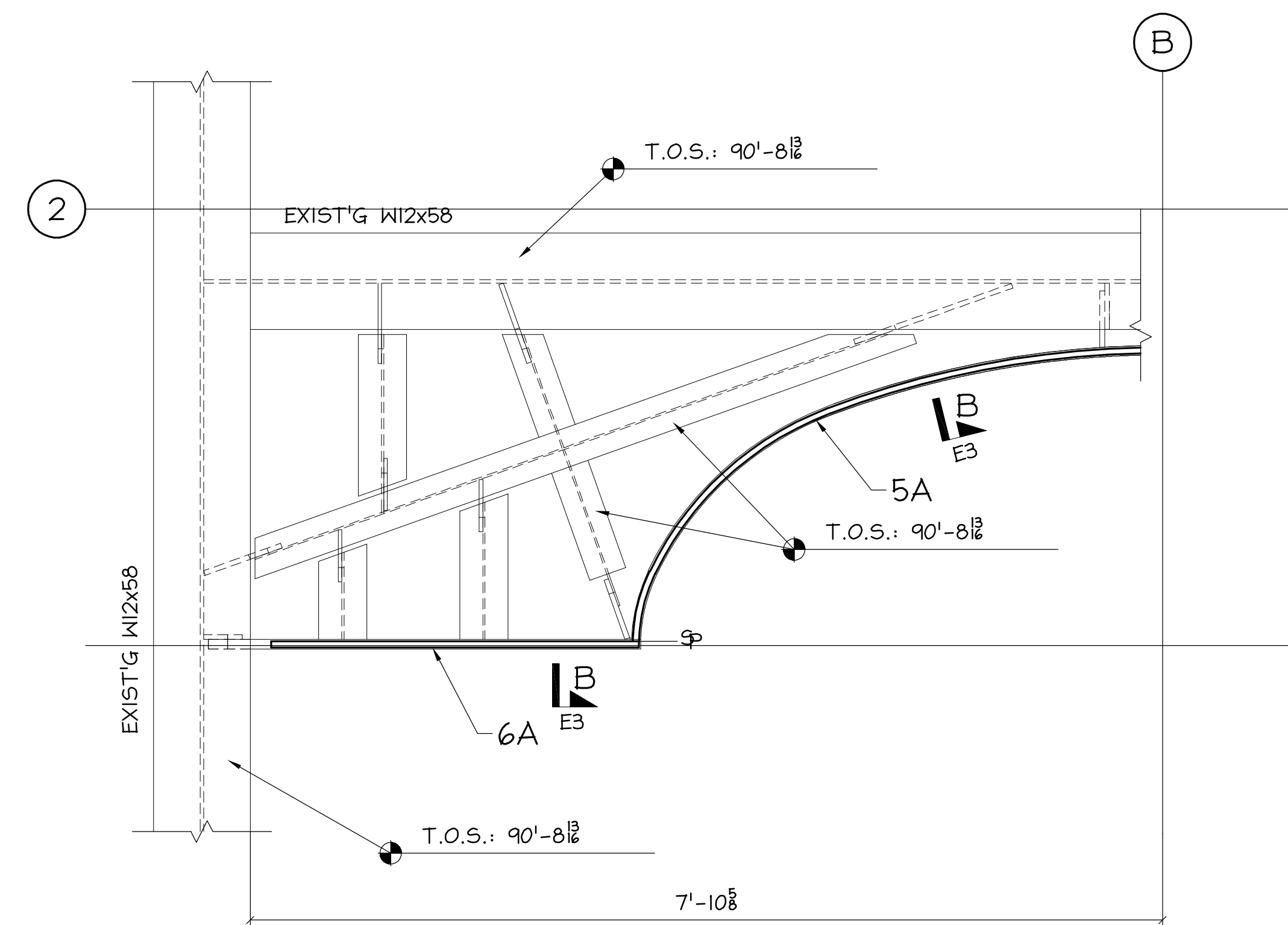


PLAN
SECOND TO THIRD FLOOR

⊕~ DENOTES SPLICE POINT OF RAIL SECTIONS
SEE E4 FOR FLATTENED VIEW OF STAIR RAIL



PLAN
THIRD FLOOR

⊕~ DENOTES SPLICE POINT OF RAIL SECTIONS
SEE E4 FOR FLATTENED VIEW OF STAIR RAIL

VERIFICATION OF DIMENSIONS, DETAILS, AND ETC. ARE REQUESTED WHERE INDICATED. IF EACH VERIFICATION IS NOT NOTED OTHERWISE, IT WILL BE ASSUMED TO BE CORRECT AS SHOWN.

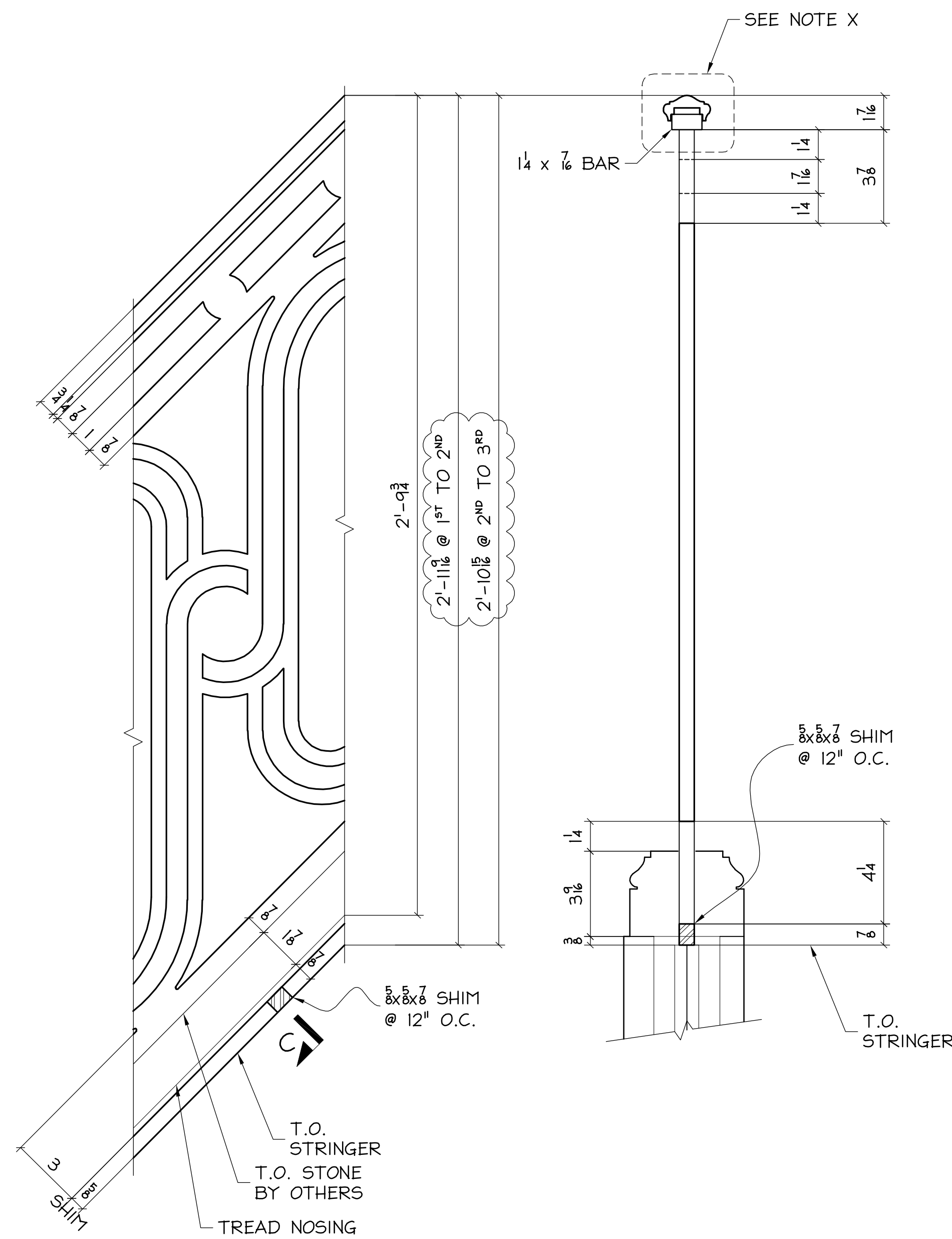
| REV | DATE | BY | DESCRIPTION | DWG STATUS | DATE |
|-----|---------|------|----------------------|------------|------|
| A | 8/13/04 | JIMI | FOR APPL / FAB READY | | |

55 East 77th Street
PPA Oval Stair Handrail
New York, NY

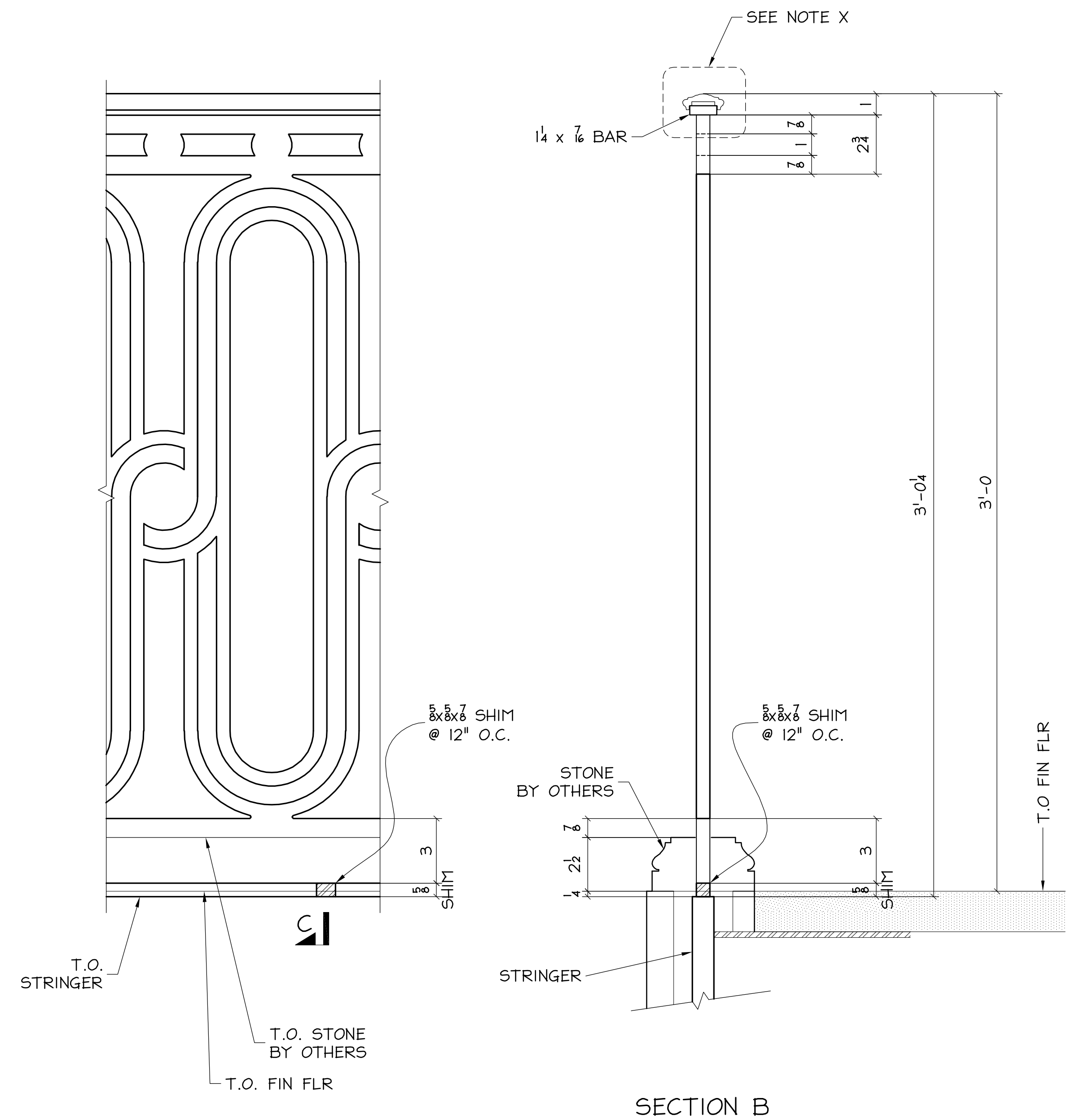
ENG'R: KPFF
CONTR: ADI / ANGLE DETAILING, INC.
ADI JOB# 2004-371

COLUMBIA WIRE & IRON WORKS
5555 N. Channel Portland, Ore. 97217
www.cwil.com/503-286-6600

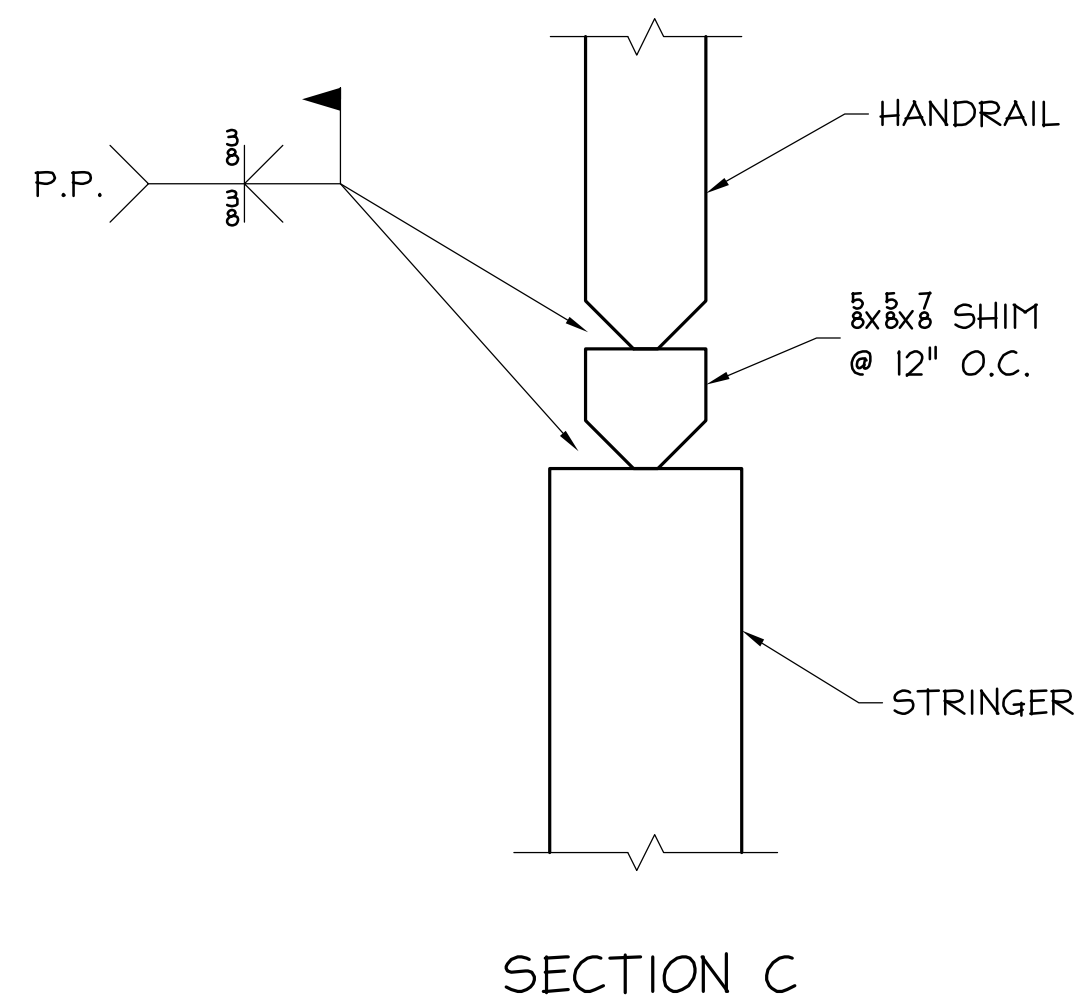
DRAWN BY: JIMI
CHK'D BY: ADI
JOB NO: 90-001002
DWG. NO: E2



SECTION A



SECTION B



SECTION C

NOTE X
 SHOP FIT 1/4 x 7/8 BAR W/BRONZE CAP TO SUIT
 ATTACH BRONZE W/FH SCREWS, CONCEAL WELDS
 @ STEEL RAIL & GRIND SMOOTH

VERIFICATION OF DIMENSIONS, DETAILS, AND ETC. ARE REQUESTED WHERE INDICATED. IF EACH VERIFICATION IS NOT NOTED OTHERWISE, IT WILL BE ASSUMED TO BE CORRECT AS SHOWN

| REV | DATE | BY | DESCRIPTION | DWG STATUS | DATE |
|-----|---------|------|----------------------|-----------------|------|
| I | 9/23/04 | JIMI | UPDATE DIMENSIONS | FOR FABRICATION | |
| A | 8/13/04 | JIMI | FOR APPL / FAB READY | FOR PURCHASING | |
| | | | | FOR APPROVAL | |

55 East 77th Street
 PPA Oval Stair Handrail
 New York, NY

ENG'R: KPFF
 CONTR: ADI / ANGLE DETAILING, INC.
 ADI JOB# 2004-371

COLUMBIA WIRE & IRON WORKS
 5555 N. Channel Portland, Ore. 97217
 www.cwil.com/503-286-6600

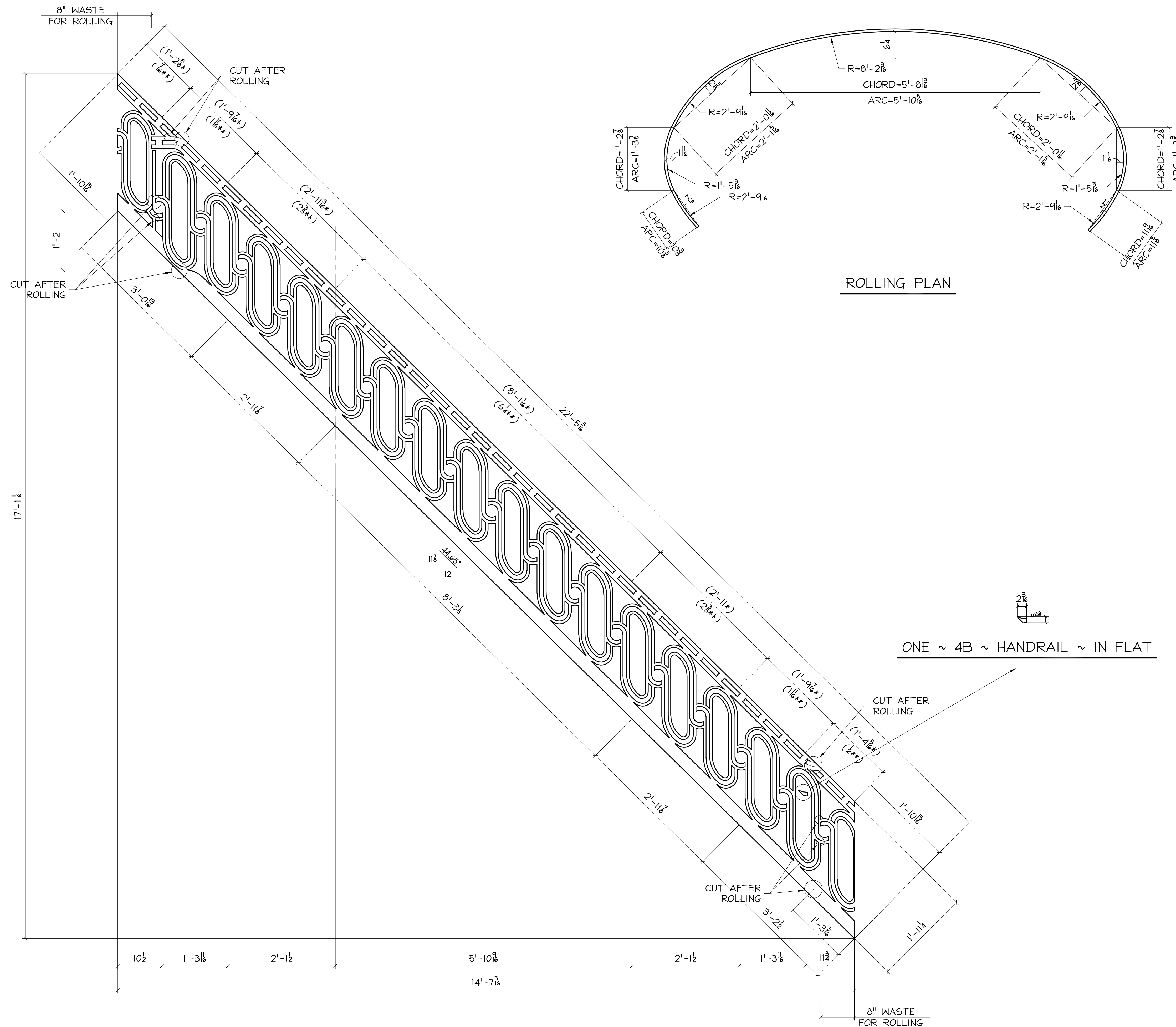
DRAWN BY: JIMI
 CHK'D BY: ADI
 JOB NO: 90-001002
 DWG. NO: E3

email: info@adetailing.com

F:\CH\SPECIAL-PROJECT-GREEN-SHOP\90-001-002\65 EAST 77TH STREET_FORD-STAIR\2004-371_NY-STAIR_1-DIMENSIONAL\324X36\004.DWG 3/24/10 12:39pm CYCLES gordon.ayres

BILL OF MATERIAL

| NO. TO SHIP | SHIP MARK | TOTAL No | PC MARK | DESCRIPTION | LENGTH | | REMARKS | ADV. BILL | WEIGHT | |
|-------------|-----------|----------|---------|-------------|--------|--------|---------|-----------|--------|-------|
| | | | | | FT. | IN. | | | UNIT | TOTAL |
| ONE | 4A | | | E8 x 234 | 22' | 5 1/2" | ROLLED | | | |
| ONE | 4B | | | E8 x 1 1/2 | 0 | 2 1/2" | ROLLED | | | |



ROLLING PLAN

ONE ~ 4B ~ HANDRAIL ~ IN FLAT

ONE ~ 4A ~ HANDRAIL ~ IN FLAT
DIMENSIONS ARE LOCATED ON C OF PLATE

- * DENOTES DIMENSION IS CHORD ALONG INSIDE FACE AFTER ROLLING
- ** DENOTES DIMENSION IS MID ORDINATE ALONG INSIDE FACE AFTER ROLLING

FABRICATION NOTES:
 HOLES UNO: 1/2"
 WELD: E70XX
 REF DWG:
 MATERIAL UNO: A36
 PAINT:
 NOTES:
 VERIFICATION OF DIMENSIONS, DETAILS, AND ETC. ARE REQUESTED, WHERE INDICATED. IF EACH VERIFICATION IS NOT NOTED OTHERWISE, IT WILL BE ASSUMED TO BE CORRECT AS SHOWN.

| REV | DATE | BY | DESCRIPTION | DWG STATUS | DATE |
|-----|---------|------|--|-----------------|------|
| 3 | 9/22/04 | JIMI | REVISE WASTE LENGTH | FOR FABRICATION | |
| 2 | 9/16/04 | JIMI | ADDED DIMENSIONS | FOR FABRICATION | |
| 1 | 9/14/04 | JIMI | ISSUE FOR FABRICATION - REVISED FLAT VIEWS | FOR PURCHASING | |
| A | 8/13/04 | JIMI | FOR APPL / FAB READY | FOR APPROVAL | |

55 East 77th Street
 PPA Oval Stair Handrail
 New York, NY

ENGR: KPFF
 CONT'R:

COLUMBIA WIRE & IRON WORKS
 5555 N. Channel Portland, Ore. 97217
 www.cwil.com/503-286-6600

DRAWN BY: JIMI
 CHKD BY: ADI
 JOB NO: 90-001002
 DWG. NO: 4