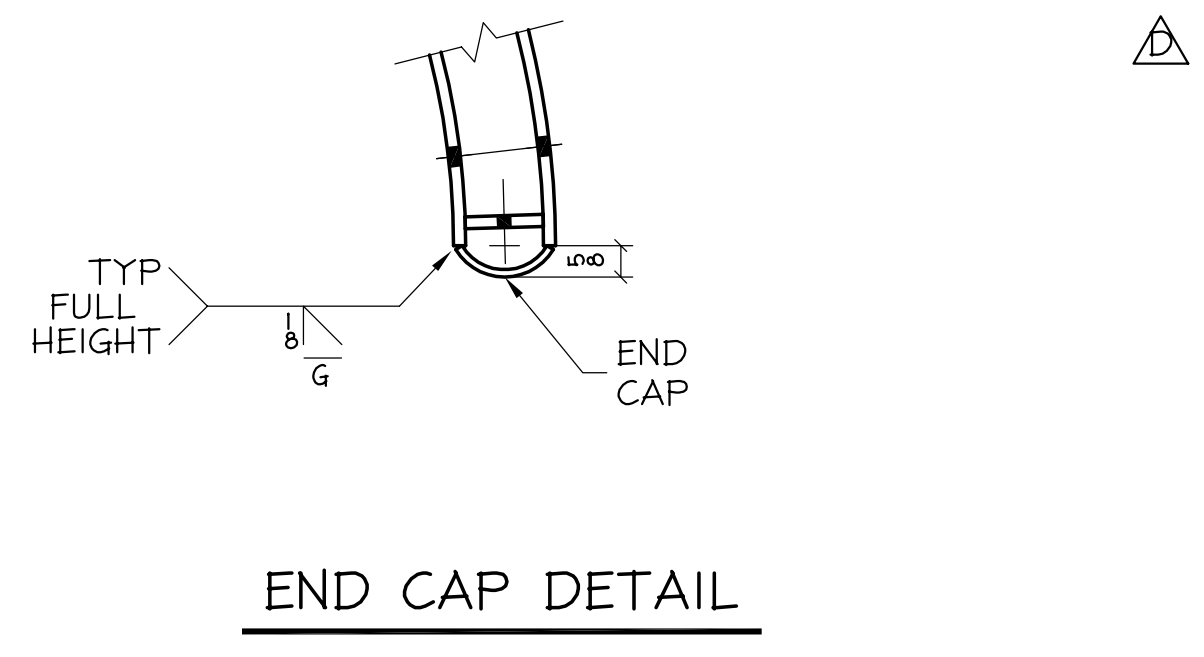
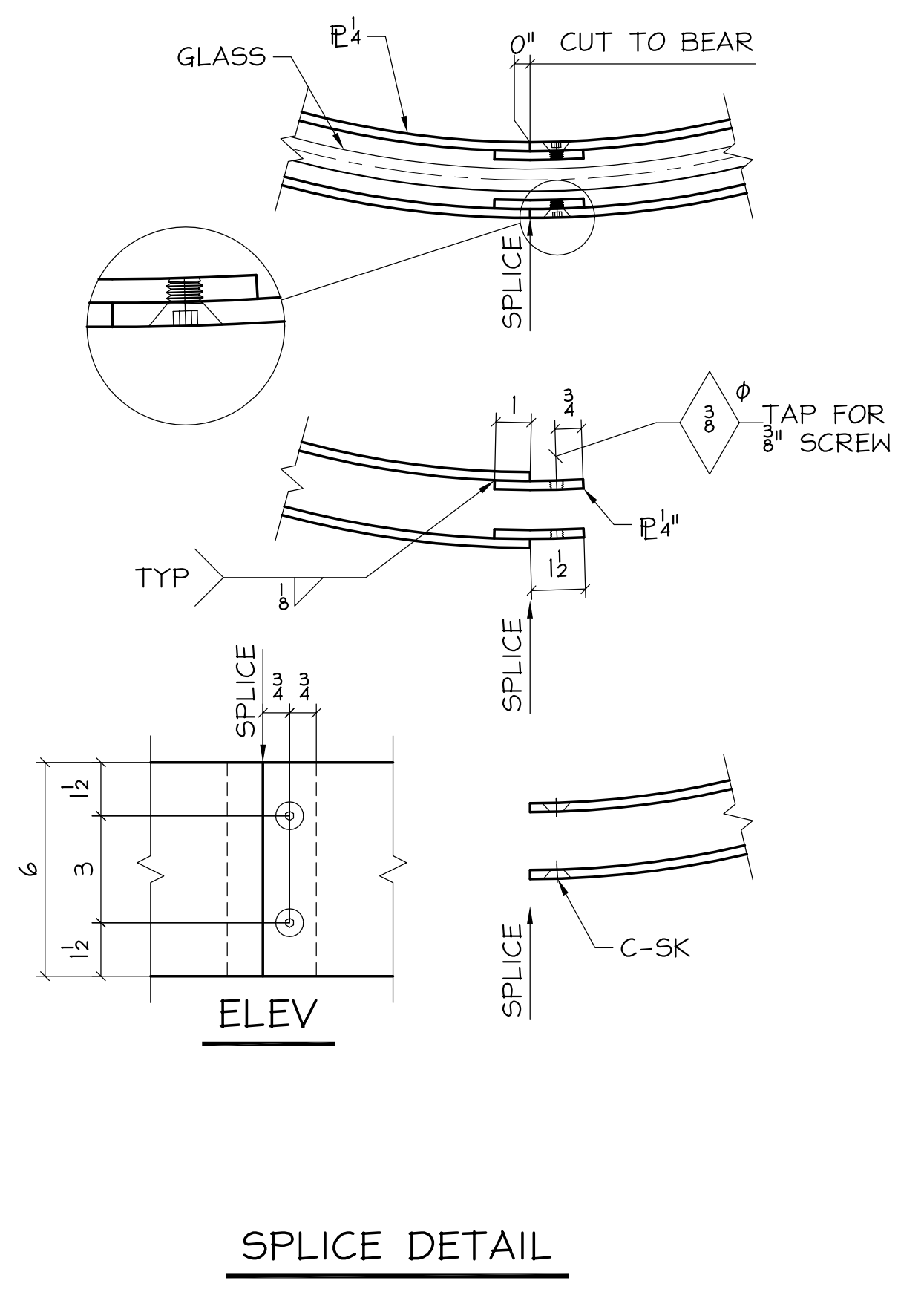
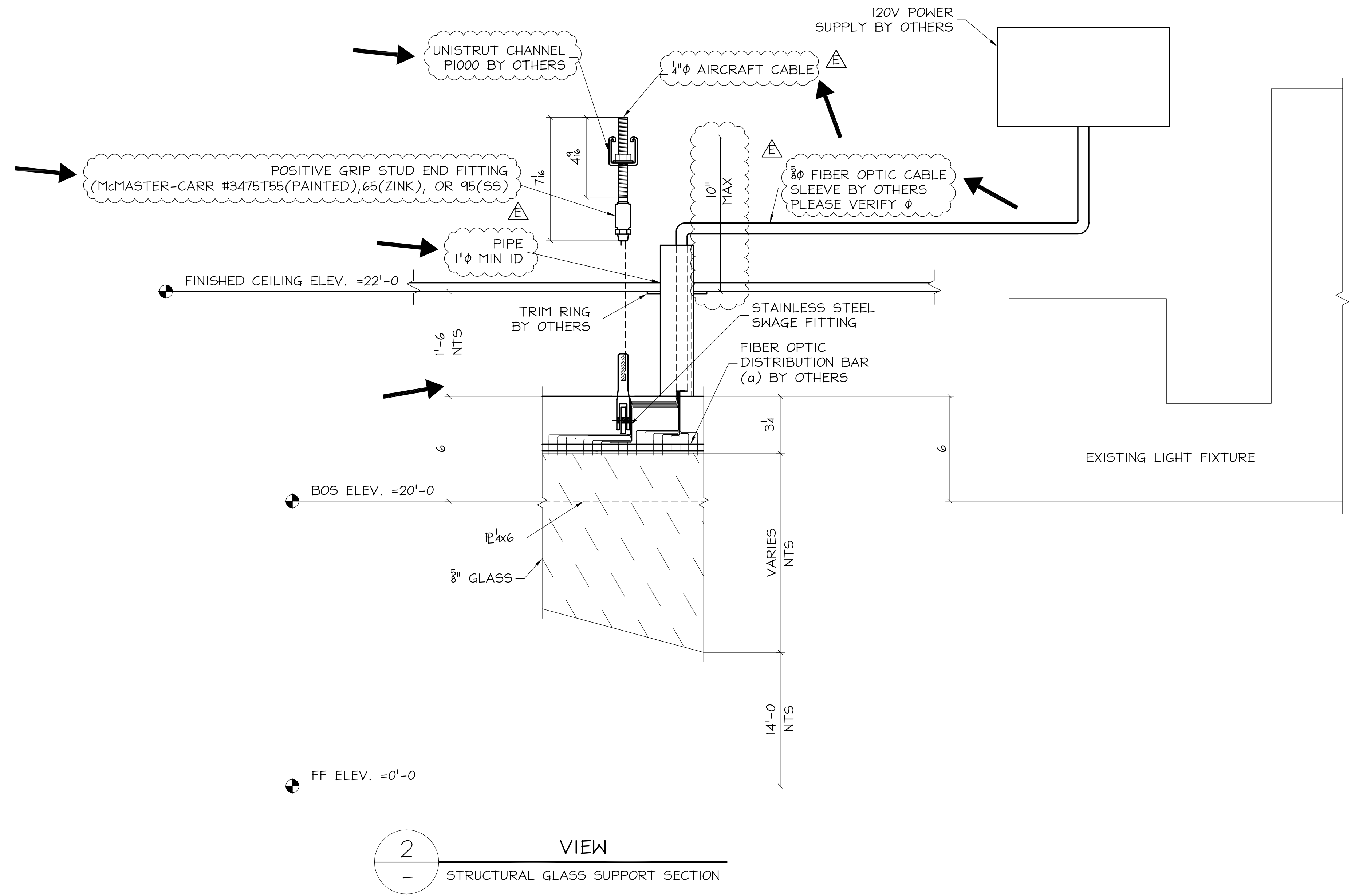
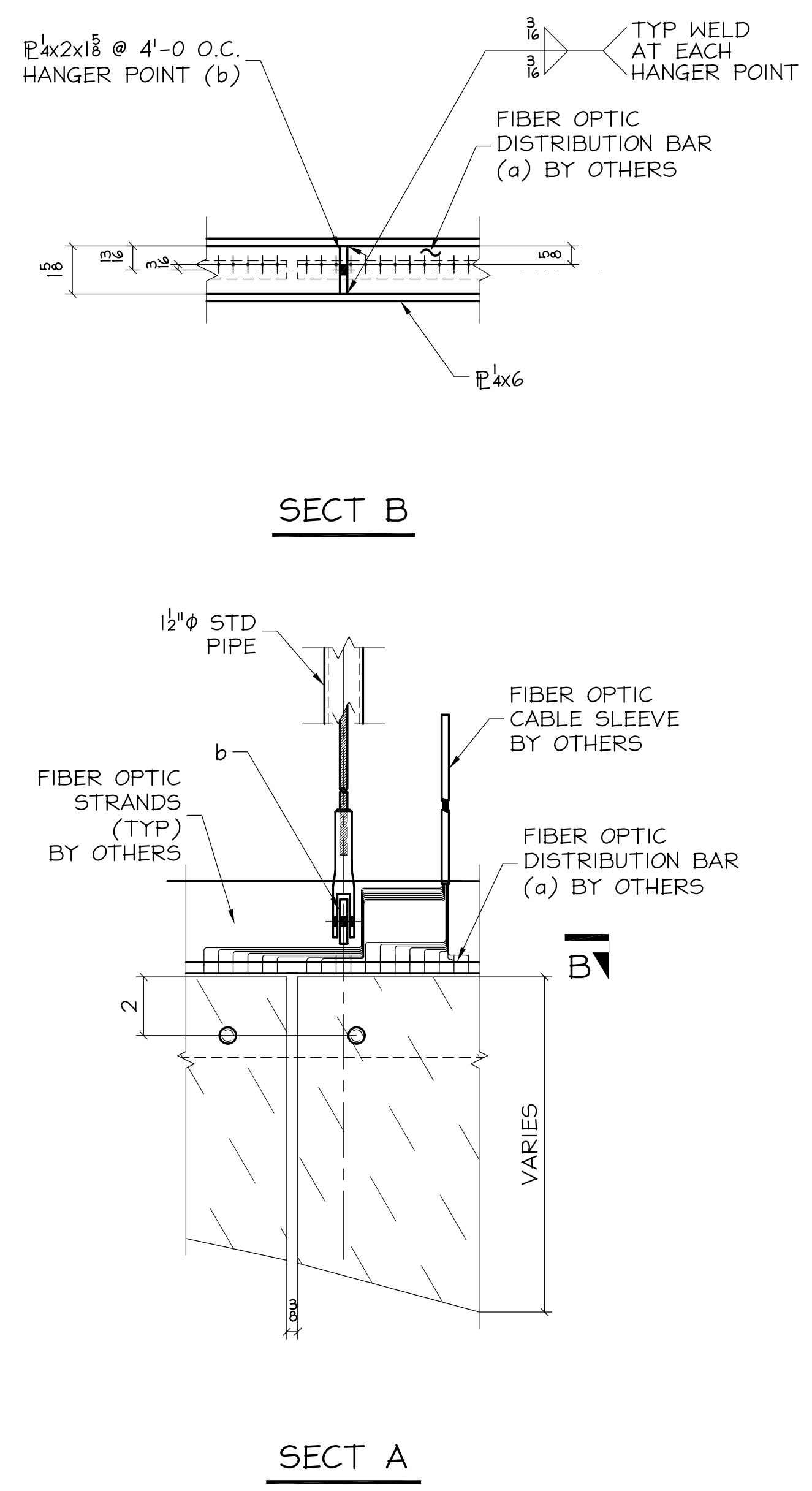
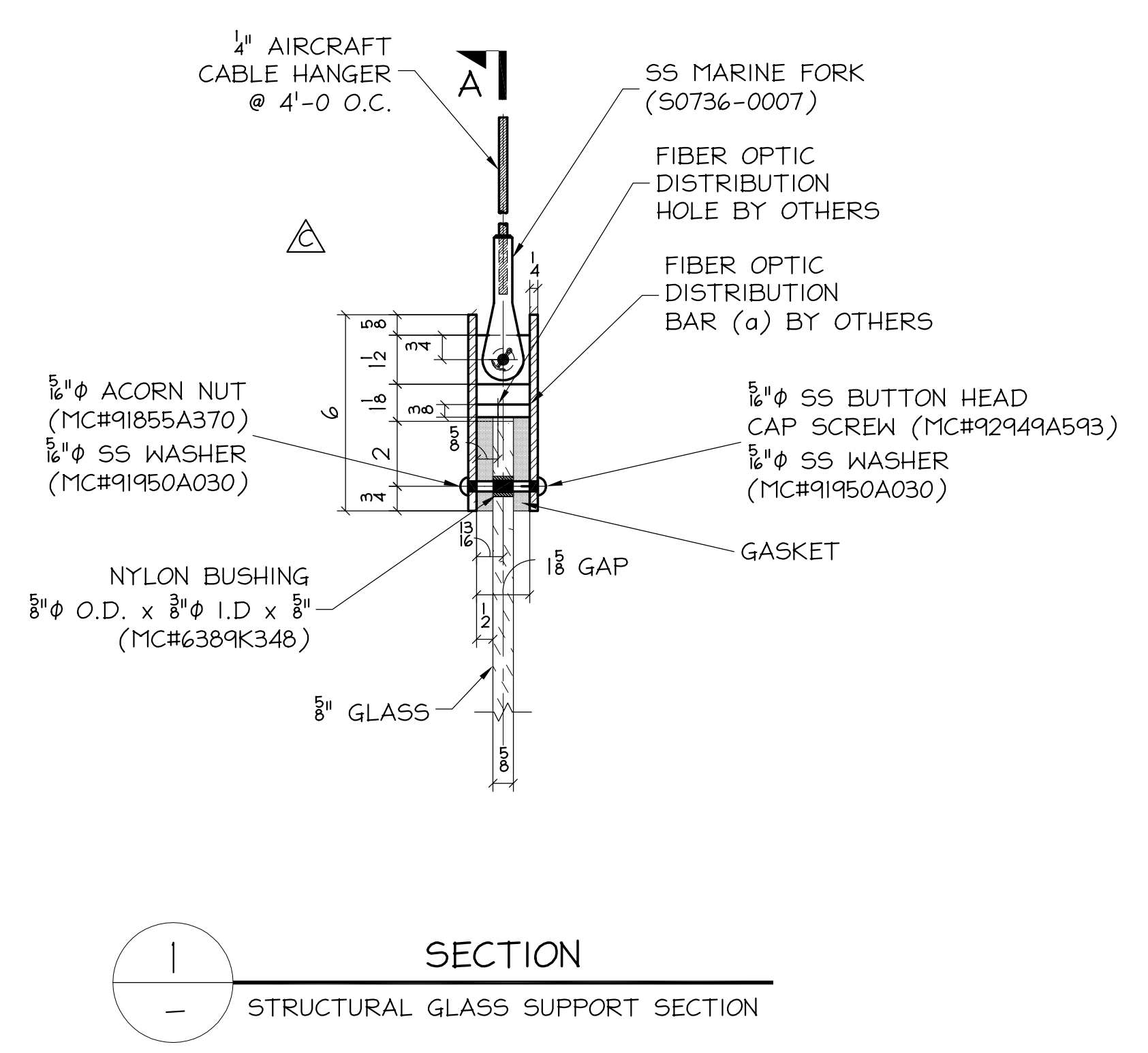


enr.com



APPROVER PLEASE REVIEW CLOUDED ITEMS
PLEASE CONFIRM IF CORRECT OR PROVIDE
INFORMATION.

© MOODY GARDENS 7/8/03 2:08pm E:\projects\moodygardens

VERIFICATION OF DIMENSIONS, DETAILS, AND ETC. ARE REQUESTED WHERE INDICATED. IF EACH VERIFICATION IS NOT NOTED OTHERWISE, IT WILL BE ASSUMED TO BE CORRECT AS SHOWN

REV	DATE	BY	DESCRIPTION	DWG STATUS	DATE
E	5/9/03	ADI	REVISED DETAIL		
D	5/6/03	ADI	ADDED END CAP DETAIL	FOR FABRICATION	
C	4/14/03	ADI	FOR APPROVAL	FOR FABRICATION	
B	2/25/03	ADI	Revised Top and Bottom Glass Panel Conn.	FOR PURCHASING	
A	2/25/03	ADI	FOR REVIEW	FOR APPROVAL	

MOODY GARDENS
ART GLASS RIBBON SCULPTURE
GALVESTON, TX

ENGR: Design Trends, Inc. ADI / ANGLE DETAILING, INC.
CONTR: Gilbane Building Co. ADI JOB# 2003-265

SAVOY STUDIOS
611 N TILLAMOOK ST PORTLAND, OR 97227
Phone: 503.282.5095 FAX: 282.2183

DRAWN BY: KP CHKD BY: ADI JOB NO. 02-178 DWG. NO. DE-1d