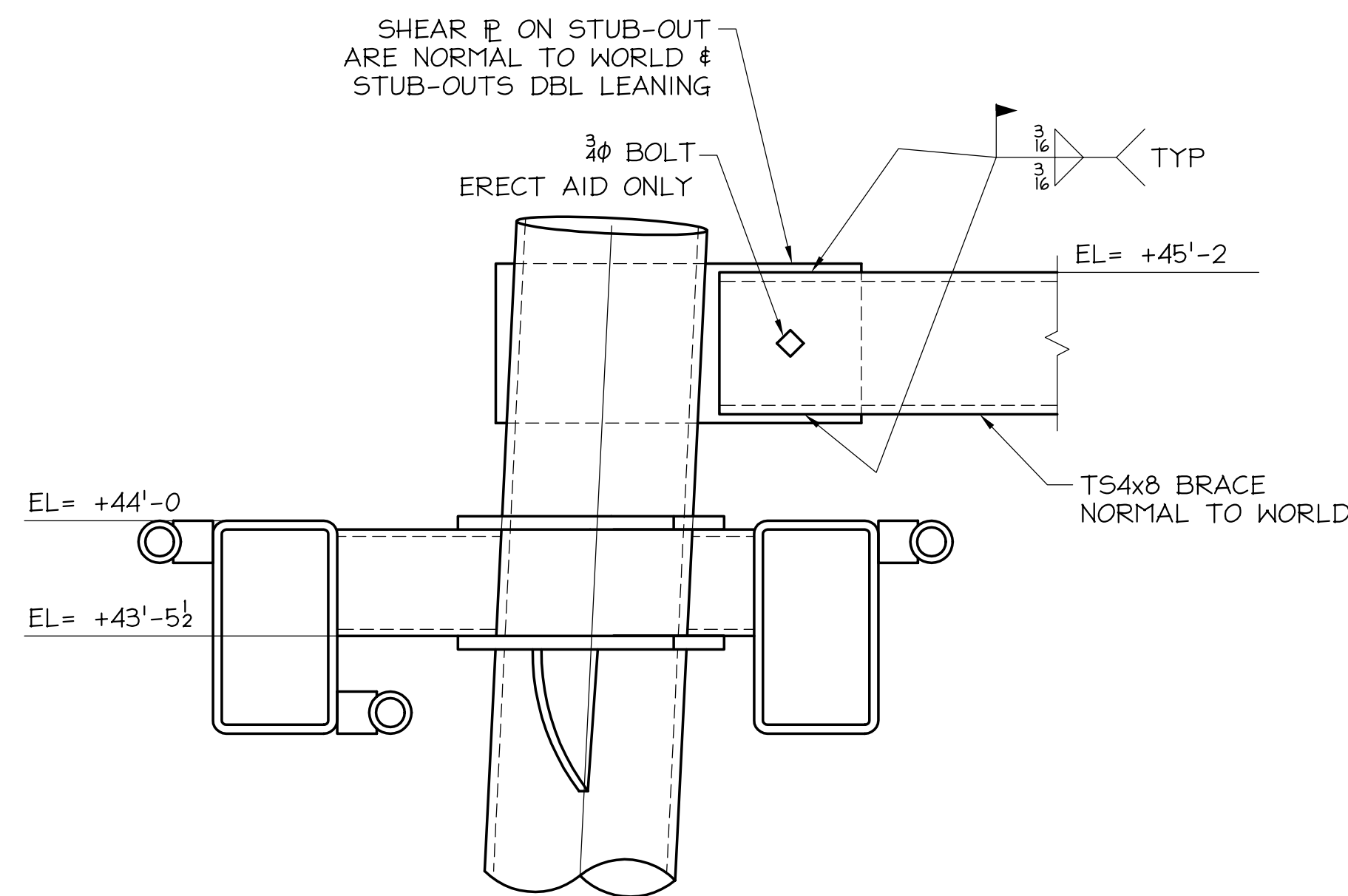
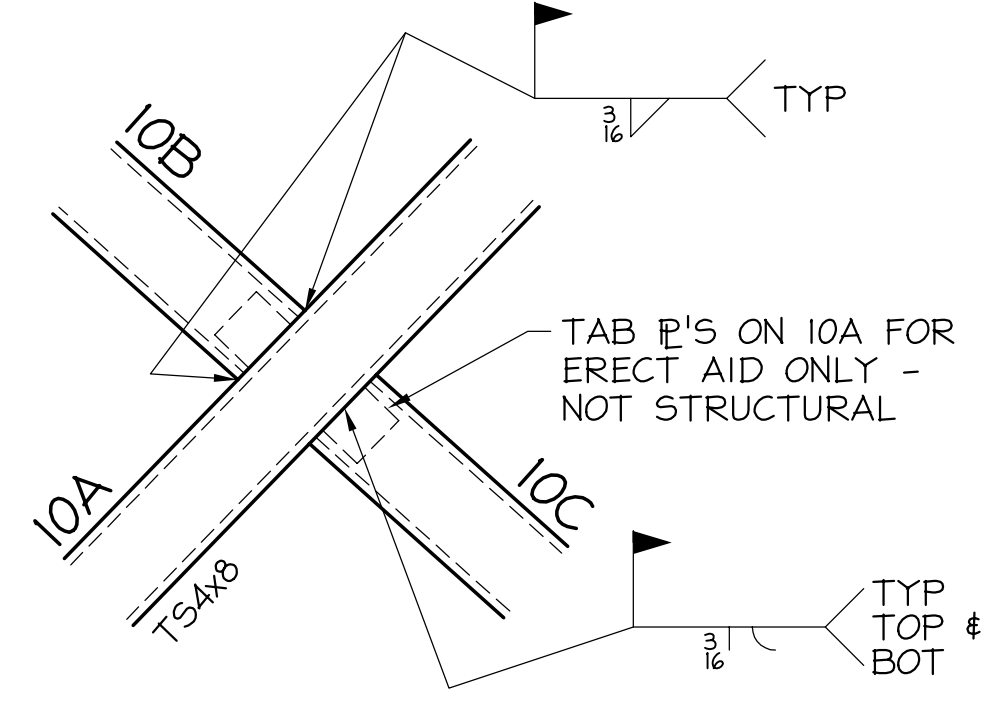


DET-2
FIELD CP SPLICE



DET-3



DET-4

| | | | | | | | | | | | | | |
|-----------------|---------|----------------|----------------------|--------------|--|-----------|--|-----------|--|---------|-----------|----------|--|
| FOR FABRICATION | | FOR PURCHASING | | FOR APPROVAL | | DRAWN BY: | | CHK'D BY: | | JOB NO: | | DWG. NO: | |
| A | 7/27/01 | ADI | FOR APPL / FAB READY | | | | | | | | 99-094003 | E2 | |

GUGGENHEIM ART OF THE MOTORCYCLE
VENETIAN CASINO RESORT
LAS VEGAS, NV

ENGR: LOCSHA ENGR'G / FOGA / TSA
CONTR: TAYLOR

Columbia Wire & Iron Works
5555 N. Channel Portland Or. 97217
drew@CWII.com/503-286-6600

ADI / ANGLE DETAILING, INC.
ADI JOB# 2001-106