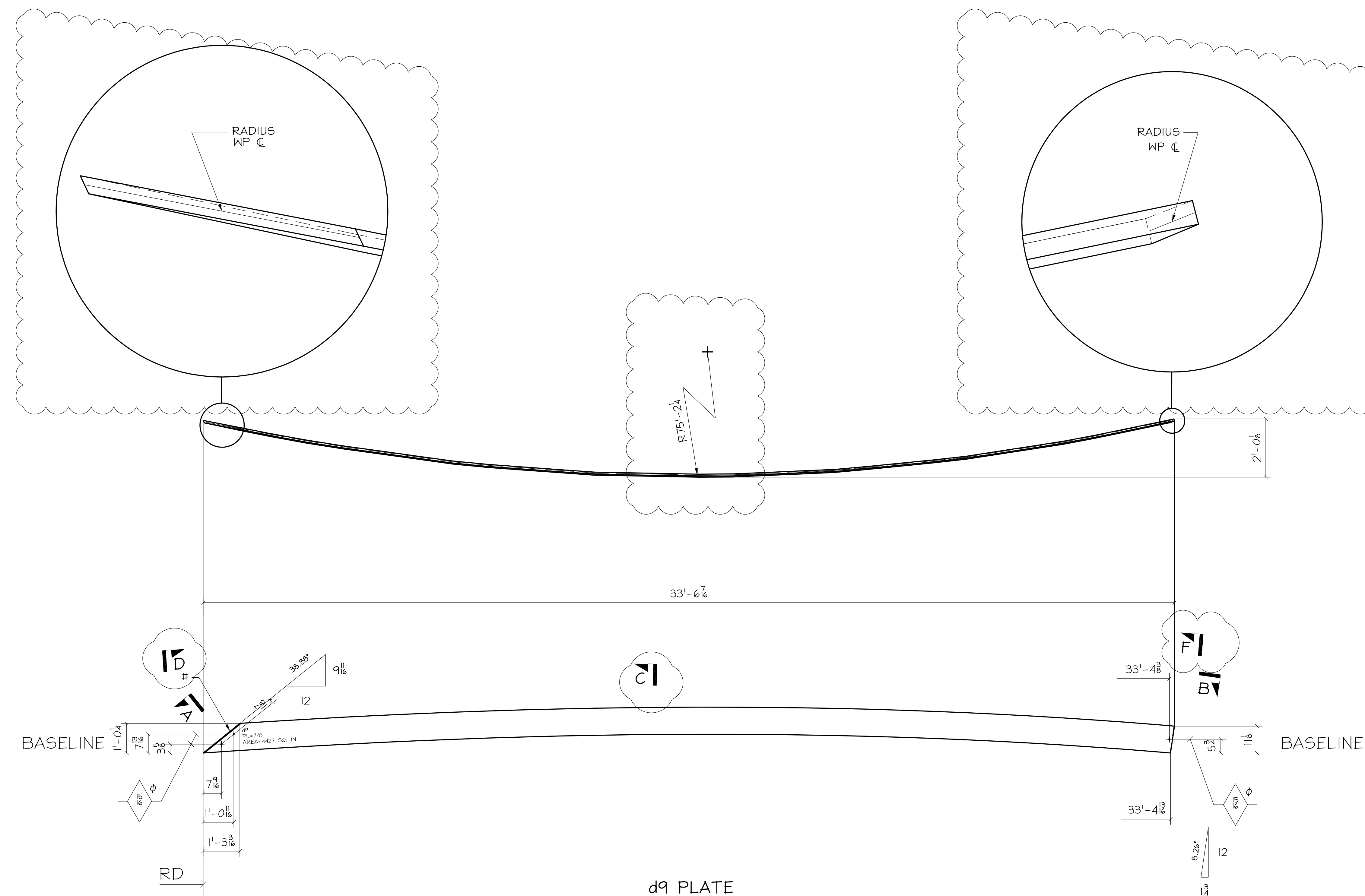
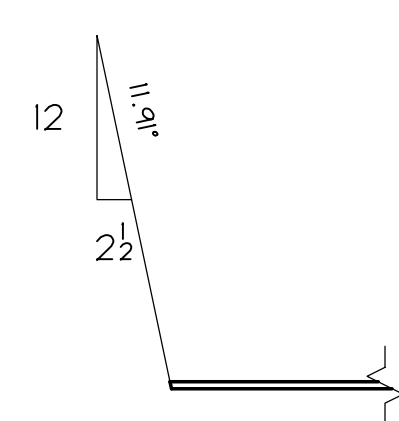


BILL OF MATERIAL

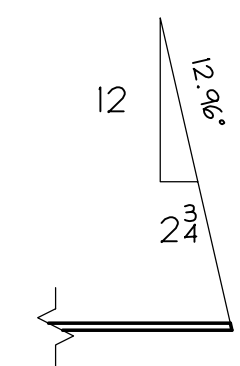
NO. TO SHIP	SHIP MARK	TOTAL NO. Pcs	PC. MARK	DESCRIPTION	LENGTH		REMARKS	ADV. BILL	WEIGHT	
					FT.	IN.			UNIT	TOTAL
ONE	d9			PL 7 x 19	33	9 1/2				



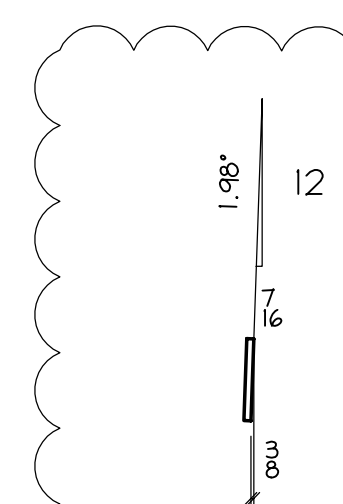
d9 PLATE



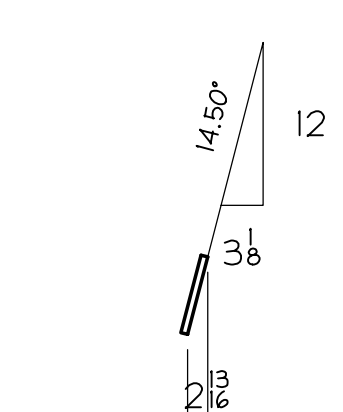
SECTION A



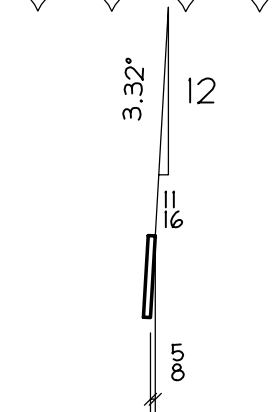
SECTION B



SECTION C



SECTION D



SECTION F

- * = SCRIBES FOR NEAR SIDE OUTLINE OF X-BRACE PLATES
- ** = SCRIBES FOR FAR SIDE C OF X-BRACE PLATES
- *** = SCRIBES FOR NEAR & FAR SIDE X-BRACE PLATES
- FAR SIDE PLATES ARE SCRIBED ON NEAR SIDE WITH "X" AND LINES
- RECTANGLES WITH "X" IN EACH CORNER REPRESENT FS SHEAR C
- DRILL 1/2" HOLES AT ALL "X" TO TRANSFER LOCATIONS TO FAR SIDE
- # = PREP FOR SHOP CP WELD AFTER DXF BURN
- ⊗ = NEAR SIDE TARGETS
- ⊙ = FAR SIDE TARGETS

FABRICATION NOTES:

HOLES UNO: 1/2" φ

WELD: E70XX

REF DWG: E3

MATERIAL UNO: A36

TS=A500 GRB

PAINT: NO PAINT

NOTES:

VERIFICATION OF DIMENSIONS, DETAILS, AND ETC. ARE REQUESTED, WHERE INDICATED. IF EACH VERIFICATION IS NOT NOTED OTHERWISE, IT WILL BE ASSUMED TO BE CORRECT AS SHOWN.

REV	DATE	BY	DESCRIPTION	DWG STATUS	DATE
B	12/10/01	WT	ADDED MARK AND SECTIONS	FOR FABRICATION	
A	11/30/01	WT	For Approval	FOR PURCHASING	

JL PROPERTIES
ASRC CANOPY
ANCHORAGE, ALASKA

ENGR: BBFM
CONTR: DAVIS CONSTRUCTORS

ADI / ANGLE DETAILING, INC.
ADI JOB# 2001-146

NORDAHL METALFAB
14053 Pioneer Way East Puyallup, WA 98372
Phone: (253) 845-3201 FAX: (253) 845-2272

DRAWN BY: WLP
CHKD BY: TCM
JOB NO. 1158
DWG. NO. 9-D/E